

BATTERY

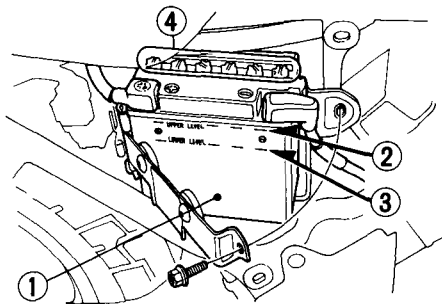
(Refer to the maintenance precautions on page 54).

If the motorcycle is operated with insufficient battery electrolyte, sulfation and battery plate damage will occur.

If rapid loss of electrolyte is experienced, or if your battery seems to be weak, causing slow starting or other electrical problems, see your authorized Honda dealer.

Battery electrolyte:

The battery (1) is behind the right side cover. Remove the right side cover. Check the electrolyte level with the motorcycle in an upright position on level ground. The electrolyte level must be maintained between the UPPER (2) and LOWER (3) LEVEL marks on the side of the battery. If the electrolyte level is low, remove the battery filler cap (4). Carefully add distilled water to the UPPER LEVEL mark, using a small syringe or plastic funnel.



(1) Battery
(2) UPPER LEVEL
mark

(3) LOWER LEVEL
mark
(4) Filler caps