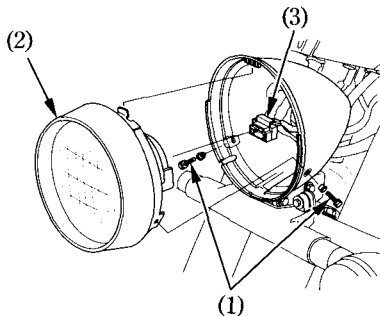


## Headlight Bulb

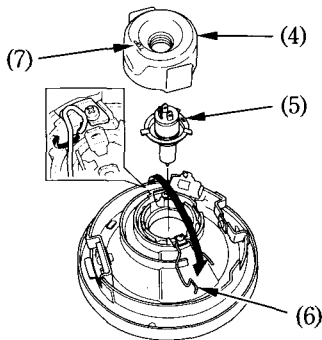
1. Remove the bolts (1) from the headlight case.
2. Gently pull the lower end of the headlight (2) forward and remove the headlight.
3. Disconnect the connector (3).
4. Remove the dust cover (4).
5. Remove the headlight bulb (5) while pressing down on the pin (6).



- (1) Bolts  
(2) Headlight

(3) Connector

6. Install a new bulb in the reverse order of removal.
  - Install the dust cover with its "TOP" mark (7) facing up.



- (4) Dust cover  
(5) Headlight bulb

- (6) Pin  
(7) "TOP" mark