

DRIVE CHAIN SLIDER

Refer to the Safety Precautions on page 72 .

Check the chain slider (1) for wear.

To check the chain slider, remove the left rear cover (2).

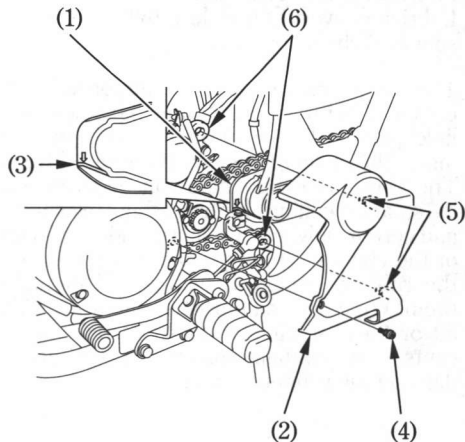
The chain slider must be replaced if it is worn to the wear limit line (3). For replacement, see your Honda dealer.

Left rear cover removal:

1. Remove the bolt (4).
2. Carefully pull the left rear cover out until the prongs (5) are clear of the grommets (6).
3. Remove the left rear cover.

Left rear cover installation:

1. Align the prongs with the rubber grommets.
2. Push the prongs in.
3. Install and tighten the bolt.



- (1) Chain slider
- (2) Left rear cover
- (3) Wear limit line

- (4) Bolt
- (5) Prongs
- (6) Grommets