

MAJOR COMPONENTS

(Information you need to operate this motorcycle)

SUSPENSION

Front Suspension

Spring Preload:

Adjust the spring preload by turning the preload adjuster (1) with the 10 × 14 mm wrench provided in the tool kit.

Make sure that both fork legs are adjusted to the same position.

To reduce (SOFT) :

Turn the adjuster counterclockwise toward SOFT for a light load and smooth road condition.

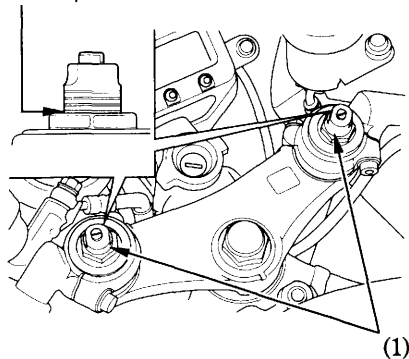
To increase (HARD) :

Turn the adjuster clockwise toward HARD for a firmer ride and rough road condition.

Standard Position:

To return to the standard position, turn the adjusters until the fourth groove from the top aligns with the top surface of the fork caps.

Standard position



(1) Preload adjuster