

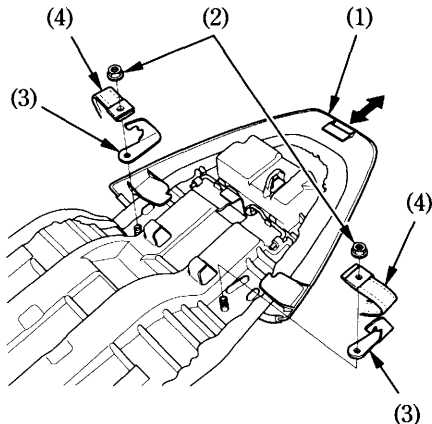
REAR SEAT COVER

Removal:

1. Remove the seat (page 53).
2. Turn over the seat and remove the two nuts (2).
3. Remove the seat belt (4).
4. Remove the hooks (3).
5. Remove the rear seat cover (1) by sliding it toward the rear.
6. Reinstall the hooks (3), seat belt (4) and nuts (2).

Installation:

- Installation can be done in the reverse order of removal.



- (1) Rear seat cover
- (2) Nuts
- (3) Hooks
- (4) Seat belt