

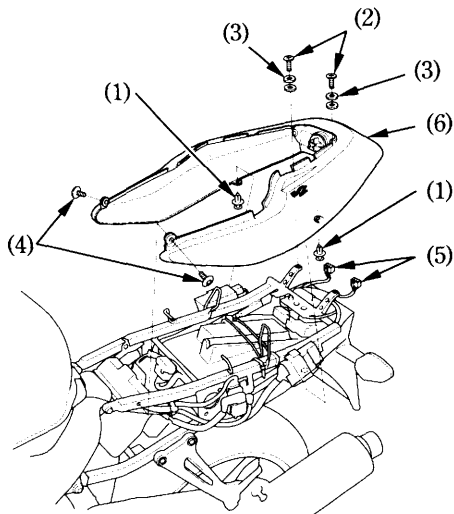
REAR COWL

Removal:

1. Remove the seat (page 53).
2. Remove the clips (1).
3. Remove the screws (2), bolts (4) and washers (3).
4. Disconnect the Stop/Taillight connectors (5).
5. Remove the rear cowl (6).

Installation:

- Installation can be done in the reverse order of removal.



- | | |
|-------------|-------------------------------|
| (1) Clips | (4) Bolts |
| (2) Screws | (5) Stop/Taillight connectors |
| (3) Washers | (6) Rear cowl |