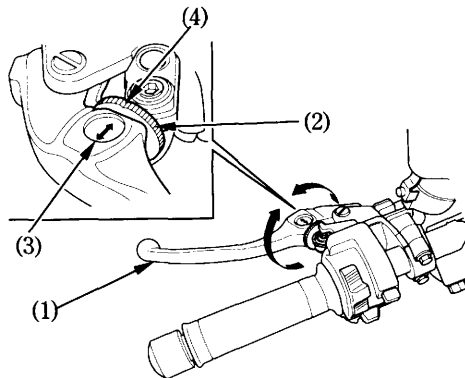


Clutch Lever:

The distance between the tip of the clutch lever (1) and the grip can be adjusted by turning the adjuster (2).

Align the arrow (3) on the clutch lever with the index mark (4) on the adjuster.



(1) Clutch lever

(2) Adjuster

(3) Arrow

(4) Index mark