

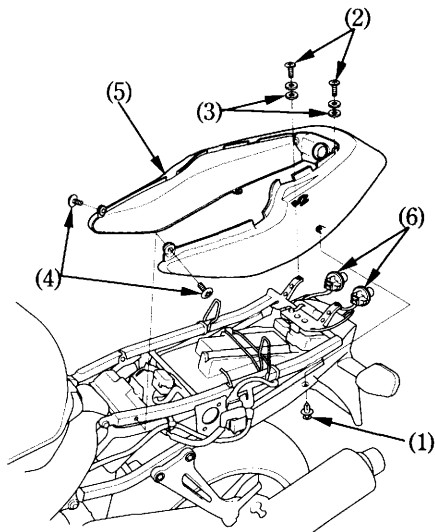
REAR COWL

Removal:

1. Remove the seat (page 40).
2. Remove the clips (1).
3. Remove the screws (2),(4) and washers (3).
4. Remove the Stop/Taillight sokets (6) (page103).
5. Remove the rear cowl (5).

Installation:

- Installation can be done in the reverse order of removal.



- | | |
|-------------|---------------------------|
| (1) Clips | (4) Screws |
| (2) Screws | (5) Rear cowl |
| (3) Washers | (6) Stop/Taillight sokets |