

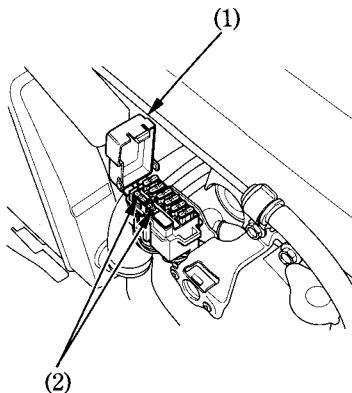
Fuse Box:

The fuse box is located behind the left lower cowl.

The specified fuses are:

10 A, 20 A

1. Remove the left lower cowl (page 56).
2. Open the fuse box cover (1).
3. Pull out the old fuse and install a new fuse.
The spare fuses (2) are located in the fuse box.
4. Close the fuse box cover and install the left lower cowl.



- (1) Fuse box cover
(2) Spare fuses