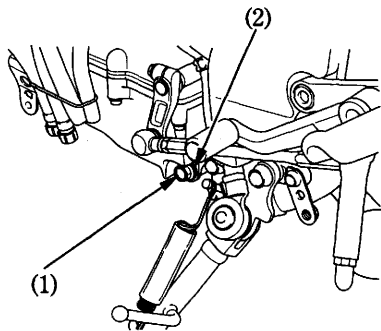
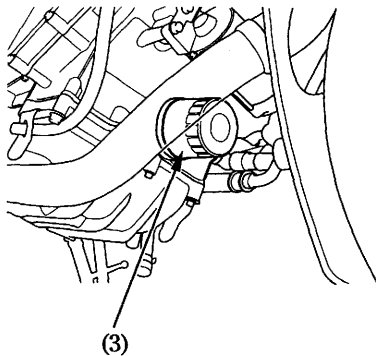


1. Remove the right and left lower cowl (page 56 ) and inner cowl (page 57 ).
2. To drain the oil, remove the oil filler cap (page 37 ), crankcase drain plug (1) and sealing washer (2).



(1) Crankcase drain plug    (2) Sealing washer

3. Remove the oil filter (3) with a filter wrench and let the remaining oil drain out. Discard the oil filter.



(3) Oil filter