

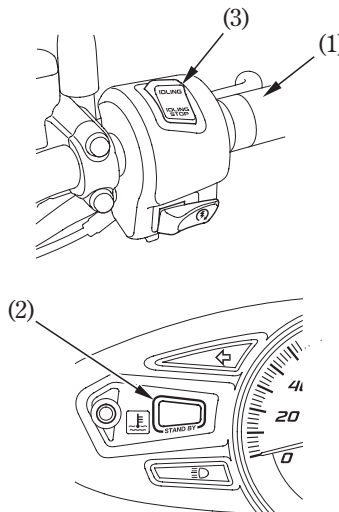


IDLING STOP SYSTEM

This scooter is equipped with Idling Stop system. Idling Stop system is designed to help reduce the fuel consumption and noise, by idling stop while making a stop such as waiting at an intersection.

- Engine will stop by Idling Stop system, a few seconds after the scooter is stopped, with the throttle (1) completely closed.
- While Idling Stop system is working, the STAND BY indicator (2) flashes and the headlights get dark.
- Engine will start, when the throttle is opened.

You can change the Idling Stop system mode by switching the Idling Stop switch (3) (page 53).



- (1) Throttle
- (2) STAND BY indicator
- (3) Idling Stop switch

