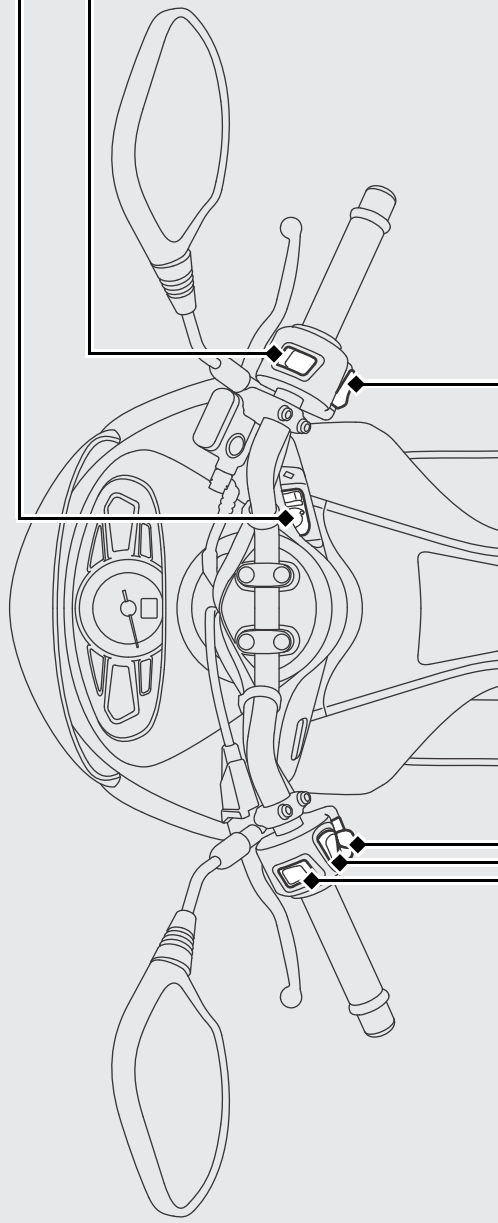


# Switches




## Idling Stop switch

Switches the Idling Stop system on/off.

- **IDLING STOP** : The Idling Stop system is on.
- **IDLING** : The Idling Stop system is off.

**Idling Stop system:**  **P.27**

 **Start button**

## **Turn signal switch**

 Pressing the switch turns the turn signal off.

## **Horn button**

## **Headlight dimmer switch**

-  : High beam
-  : Low beam