

LEFT HANDLEBAR CONTROLS

〈 Except U type 〉

Headlight Switch (1)

The headlight switch (1) has three positions: ☼, ≡D and OFF, marked by a white dot under ≡D.

☼ : Headlight, taillight, position light and meter lights on.

≡D : Position light, taillight and meter lights on.

OFF(dot): Headlight, taillight, position light and meter lights off.

Headlight Dimmer Switch (2)

Push the dimmer switch to ≡D (HI) to select high beam or to ≡D (LO) to select low beam.

Passing Light Control Switch (3)

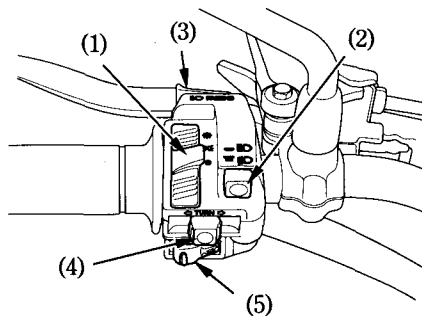
When this switch is pressed, the headlight flashes on to signal approaching cars or when passing.

Turn Signal Switch (4)

Move to ⇐ (L) to signal a left turn, ⇒ (R) to signal a right turn. Press to turn signal off.

Horn Button (5)

Press the button to sound the horn.



- (1) Headlight switch
- (2) Headlight dimmer switch
- (3) Passing light control switch
- (4) Turn signal switch
- (5) Horn button