

IDLE SPEED

(Refer to the maintenance precautions on page 65).

The idle speed adjustment procedure given here should only be used when changes in altitude affect normal idle speed as set by your dealer. See your Honda dealer for regularly scheduled carburetor adjustments, including individual carburetor adjustment and synchronization.

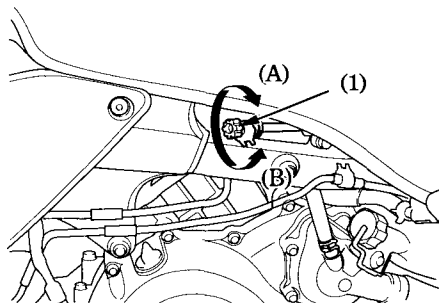
NOTE:

- The engine must be at normal operating temperature for accurate idle speed adjustment. Ten minutes of stop-and-go riding is sufficient.

1. Warm up the engine, and shift to neutral, and place the motorcycle on its side stand.
2. Adjust idle speed with the throttle stop screw (1).

Idle Speed: (In neutral)

$1,200 \pm 50 \text{ min}^{-1} (\text{rpm})$



(1) Throttle stop screw

(A) Increase

(B) Decrease