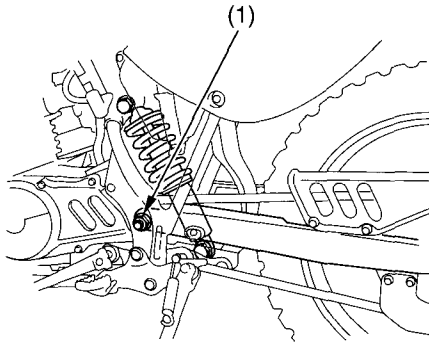


2. Check the security of all handlebar and fork mounting bolts ( 1 ). If any front suspension components appear worn or damaged, see your Honda dealer for further inspection.

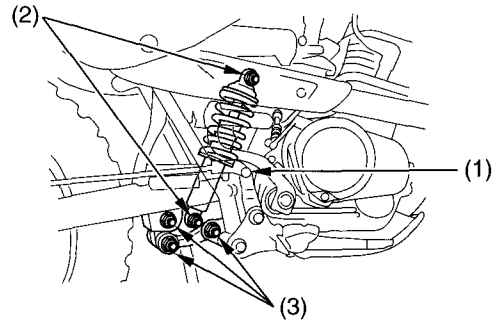
## Rear Suspension Inspection

LEFT SIDE



(1) swingarm bushing

RIGHT SIDE



- (1) shock absorber attachment points
- (2) swingarm bushing
- (3) suspension linkage attachment points

1. Place the motorcycle on a maintenance stand. Push hard against the side of the rear wheel and feel for any freeplay which indicates worn swingarm bushings ( 1 ).

(cont'd)