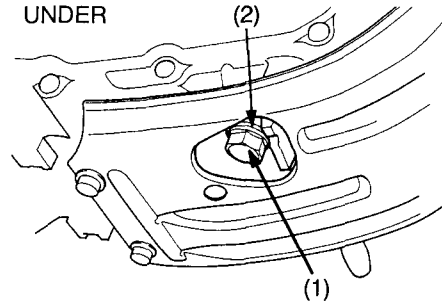


7. Check the oil level on the dipstick.
 - If the oil is at or near the upper level mark (2), you don't have to add oil.
 - If the oil is below or near the lower level mark (3), add the recommended oil until it reaches the upper level mark. (Do not overfill.)
8. Insert the dipstick and screw it in tightly.
9. Check for oil leaks.

Changing Engine Oil



- (1) oil drain bolt
(2) sealing washer

1. If the engine is cold, start it and let it idle for 3–5 minutes. Turn the engine off. Wait 2–3 minutes for the oil to settle.