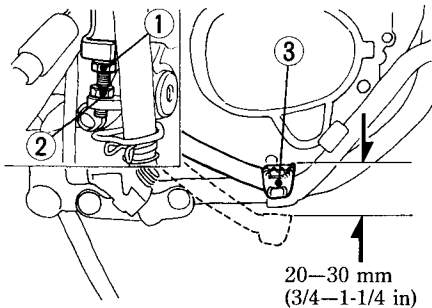


Rear Brake

Adjustment:

1. Place the motorcycle on its side stand.
2. The stopper bolt (1) is provided to allow adjustment of the pedal height.

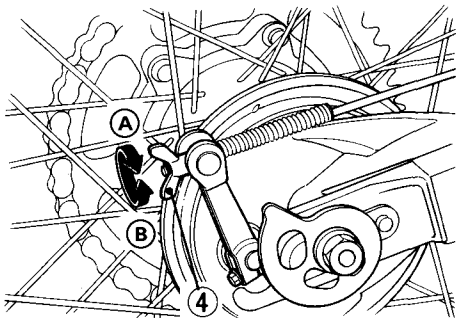
To adjust the pedal height, loosen the lock nut (2) and turn the stopper bolt. Tighten the lock nut.



- (1) Stopper bolt
(2) Lock nut

- (3) Rear brake pedal

3. Measure the distance the rear brake pedal (3) moves before the brake starts to take hold. Free play should be 20–30 mm (3/4–1-1/4 in). If adjustment is necessary, turn the rear brake adjusting wing nut (4).



- (4) Adjusting wing nut

- (A) Decrease free play
(B) Increase free play