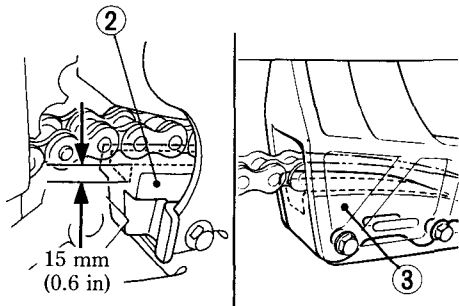


4. Check the chain slipper (2) and chain guide slider (3) for wear.

If the depth of groove exceeds the limit, the chain slipper must be replaced. See your authorized Honda dealer. Chain slipper depth limit:

15 mm (0.6 in)

Replace the chain guide slider if the chain is visible through the wear inspection window (4).



(2) Chain slipper

(3) Chain guide slider

(4) Inspection window

5. Measure a section of the drive chain to determine whether the chain is worn beyond its service limit. Remove the drive chain and measure the distance between a span of 107 pins from pin center to pin center. If the distance exceeds the service limit, the chain is worn out and should be replaced.

New chain: 1,699 mm (66.9 in)

Service limit: 1,716 mm (67.6 in)

