

## MANUAL STARTER DECOMPRESSOR

Although an engine decompression system is interlocked with the kickstarter, the manual starter decompressor can also be used if you experience starting difficulties.

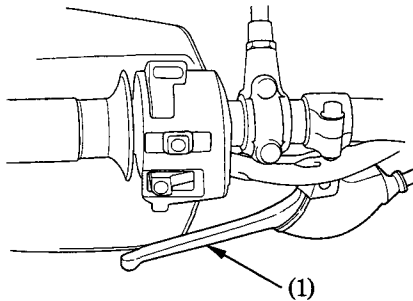
### To operate:

1. With the throttle fully closed, push down lightly on the kickstarter until you feel some resistance.
2. Pull the decompressor lever (1) and push the kickstarter down again slowly about 1/4 to 1/2 of a full stroke.
3. Release the decompressor lever and kickstart the motorcycle in the usual manner.

The manual starter decompressor can also help restart the engine in an off-road situation where the motorcycle is rolling down a hill.

1. Close the throttle. Pull the clutch lever in and shift into 2nd or 3rd gear.
2. With the motorcycle rolling, release the clutch lever.

3. If the rear tyre skids instead of turning over the engine, pull the decompressor lever. Releasing compression allows the rear wheel to roll while turning the engine over.
4. Release the decompressor lever. If the engine does not start, pull the decompressor lever again. Wait until the motorcycle gains speed and release the decompressor lever.



(1) Decompressor lever