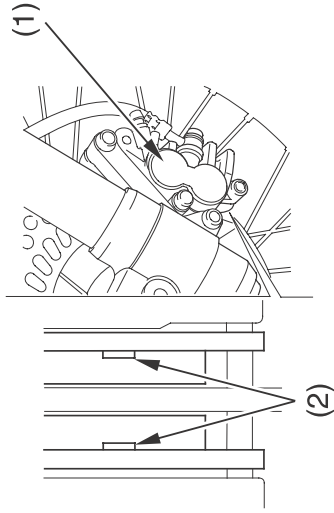


Brakes

Brake Pad Wear

Brake pad wear depends on the severity of usage, the type of riding, and riding area conditions. (Generally, the pads will wear faster on wet and dirty riding terrain.) Inspect the pads at each regular maintenance interval (page 50).

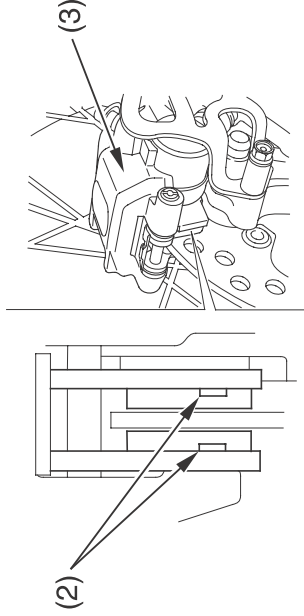
LEFT FRONT



- (1) front brake caliper
- (2) cutout



RIGHT REAR



- (2) cutout
- (3) rear brake caliper



Check the cutout (2) in each pad. If either pad is worn to the cutout, replace both pads as a set. See your Honda dealer for this service.

Other Inspections

Check that the front lever and rear pedal assemblies are positioned properly and the securing bolts are tight.

