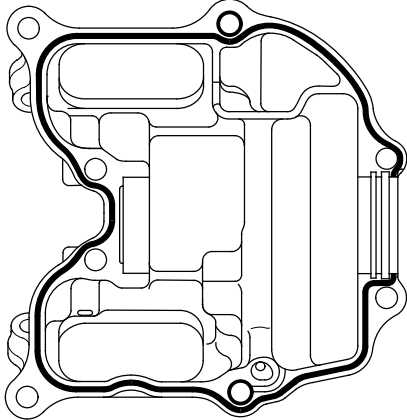
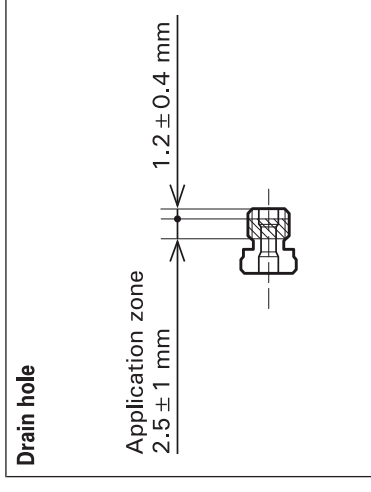
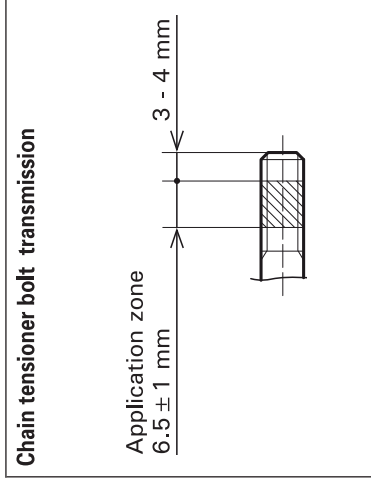


Service data

Item	Material	Remarks
Clutch slave cylinder piston/O-ring	Silicone grease	
Left crankcase cover cap threads Each oil seal lips Water seal lips	Lithium based multipurpose grease	
Right crankcase cover water hose joint threads Cylinder head water hose joint threads	Sealant	
Cylinder head cover mating surface	Three Bond 1215B	
		



Wheel

Item	Material	Remarks
Rear wheel nipple	Locking agent Candar C73R	Only versions (ED/3E)