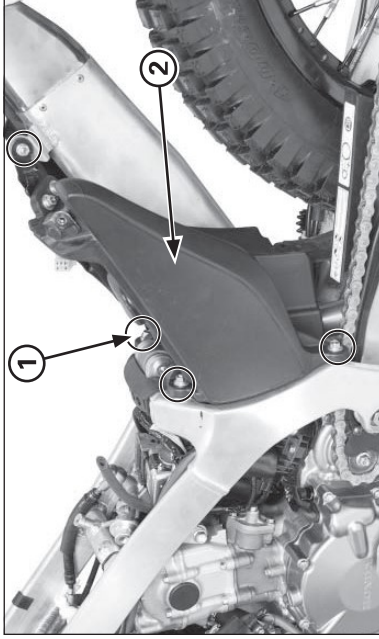


- (1) INJECTOR
- (2) NEW O-RING

Removal/Installation

Do not remove the injector from the injector holder. Replace the injector and holder as an assembly.

Always replace the O-ring when the fuel injector assembly is removed from the cylinder head.



- (1) BOLTS/NUTS
- (2) AIR CLEANER HOUSING

Throttle Body

Removal

Remove the rear fender.

Remove the fuel tank/injector as an assembly (page 4-6).

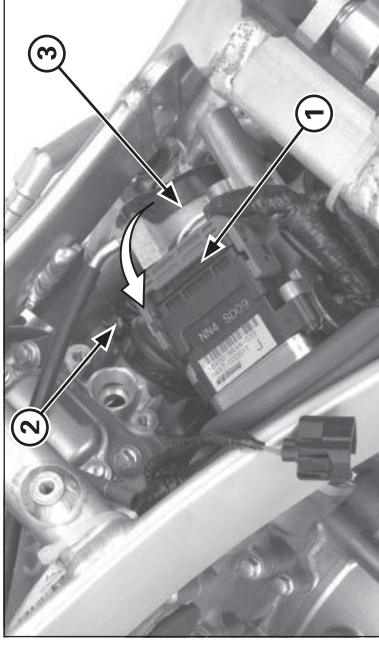
Loosen the connecting tube band screw.

Remove the silencer mounting bolt.

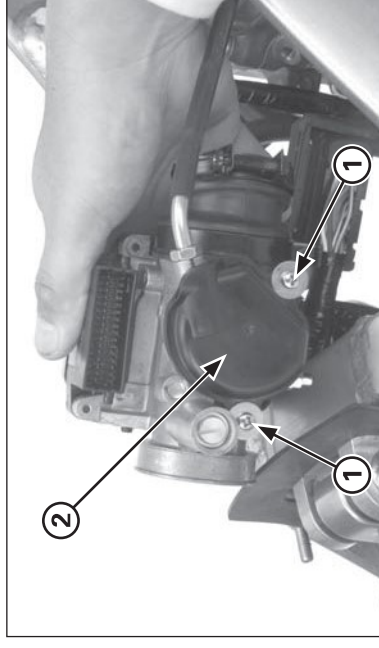
Remove the air cleaner housing mounting nuts and bolt.

Pull the air cleaner housing backward being careful not to damage the wire harness.

Disconnect the crankcase breather hose from the housing joint.



- (1) 32P (BLACK) CONNECTOR
- (2) BAND SCREW
- (3) THROTTLE BODY



- (1) SCREWS
- (2) THROTTLE DRUM COVER

Disconnect the ECM 32P (Black) connector.

Loosen the insulator band screw, then remove the throttle body.

Be careful to not pull connector from throttle body, pull up fixation handle.

Remove the screws and throttle drum cover.