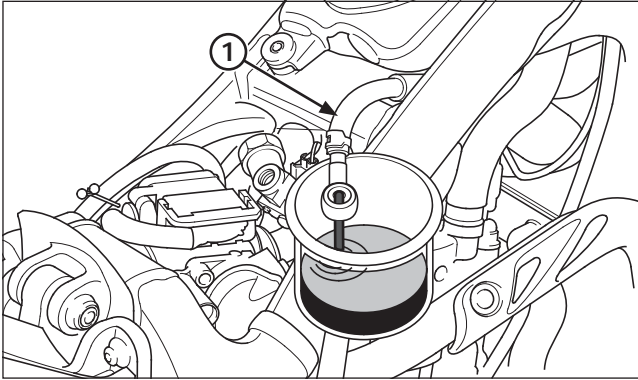


## Engine servicing



(1) FUEL RETURN HOSE

### Fuel Pump Flow Inspection

Remove the rear fender.

Disconnect the banjo bolt and insert the eyelet of the hose in a homologated fuel container.

Raise the fuel tank.

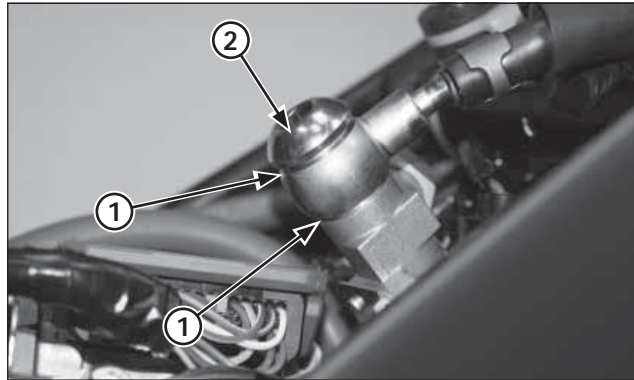
Connect the 12 V battery to the fuel pump 2P connector terminals, check amount of fuel flow for 10 seconds.

#### Amount of flow:

0.749 l/min (125 cm<sup>3</sup> / minumun 10 seg)

If the fuel flow is less than specified, inspect the following:

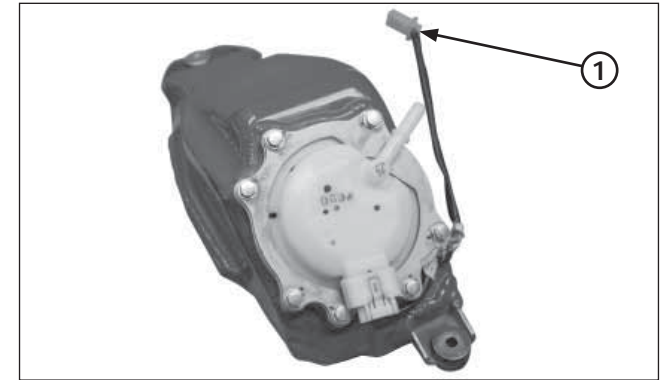
- Pinched or clogged fuel hose
- Clogged fuel filter
- Fuel pump (page 4-7)



(1) SEALING WASHER  
(2) BANJO BOLT

After inspection, re-insert the banjo bolt in the fuel feed hose using a new sealing washer.

**Torque: 22 N•m (2.2 kgf•m, 16.2 lbf•ft)**



(1) 2P CONNECTOR

Connect the fuel pump 2P connector.

Start the engine and check for fuel leaks.