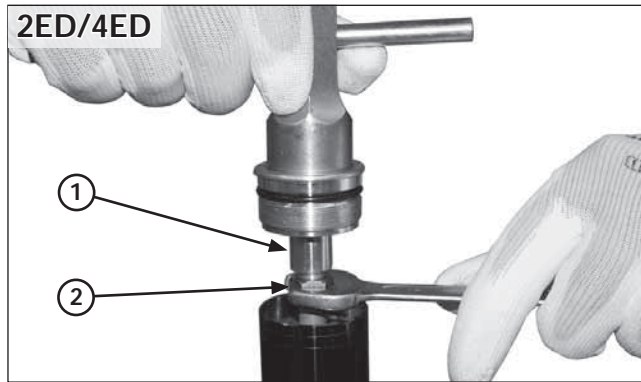


## Frame servicing

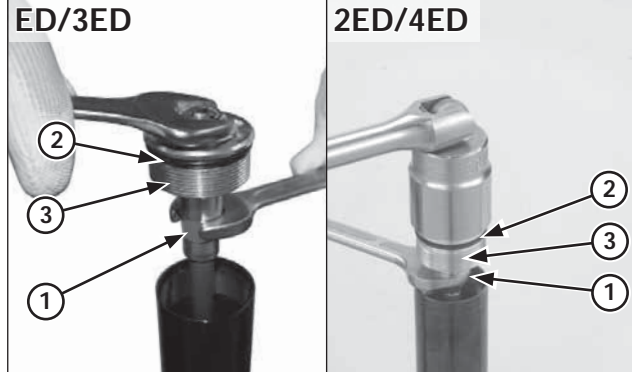
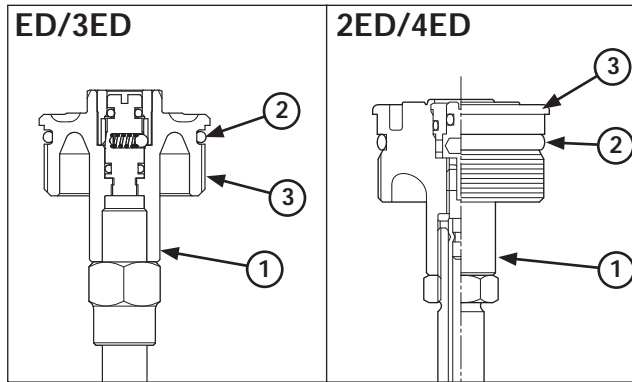


- (1) DAMPER ADJUSTER CASE  
(2) LOCK NUT

If the damper adjuster case was removed from the damper rod, reinstall the damper adjuster case as follows:

1. Install the damper adjuster case/rod assembly into the damper rod pipe until the damper adjuster bottoms lightly.
2. Hold the damper adjuster case and tighten the lock nut to the specified torque. Do not turn the damper adjuster case.

**Torque: 20 N•m (2.0 kgf•m, 14 lbf•ft)**



- (1) DAMPER ADJUSTER CASE  
(2) NEW O-RING  
(3) FORK BOLT

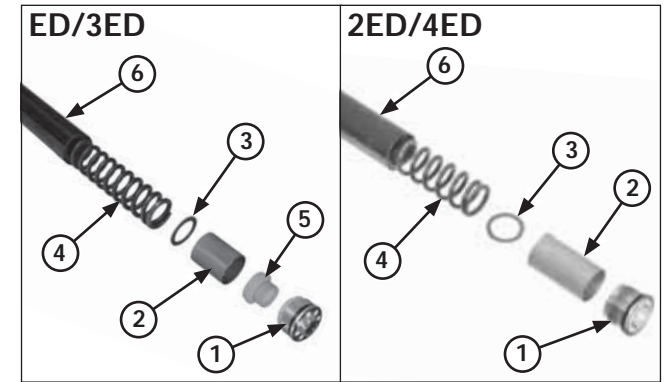
Install a new O-ring onto the fork bolt groove. Screw the fork bolt on the damper adjuster case until it seats.

Hold the damper adjuster case and tighten the fork cap bolt to the specified torque.

**Torque: 15 N•m (1.5 kgf•m)**

Apply recommended fork fluid to the O-ring, then screw the fork bolt into the fork tube.

**Torque: ED/3ED: 13 N•m (1.3 kgf•m)  
2ED/4ED: 22 N•m (2.2 kgf•m)**



- (1) FORK BOLT  
(2) DISTANCE COLLAR  
(3) SPRING SEAT  
(4) FORK SPRING  
(5) TAPERED BUSHING (ED/3ED)  
(6) FORK TUBE

### Left Fork Disassembly

Before disassembling the fork, clean the entire sliding surface and the bottom of the fork slider.

Be careful not to scratch the fork tube. A scratched fork tube will damage the seal, causing an oil leak.

The fork bolt under spring pressure. Before removing the fork bolt, turn the pre-load adjuster softest position. Remove the fork bolt from the fork tube.

Remove the tapered bushing (ED/3ED), the distance collar, spring seat and fork spring. Pour out the fork fluid.