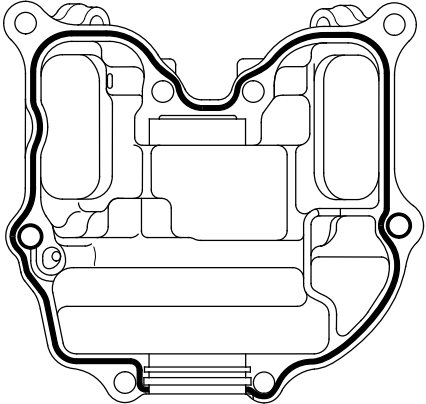
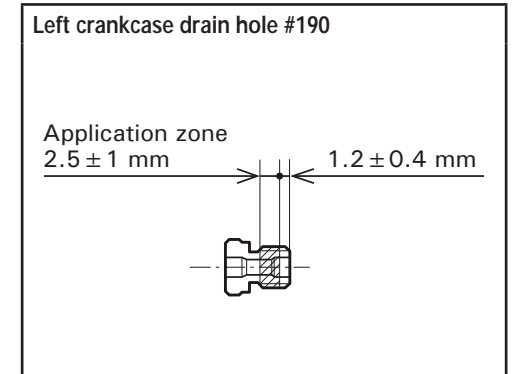
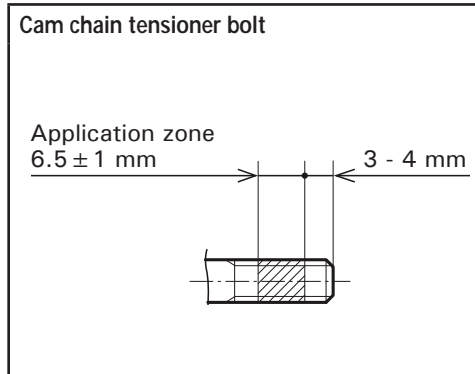


## Service data

Item	Material	Remarks
Clutch slave cylinder piston/O-ring	Silicone grease	
Left crankcase cover cap threads	Lithium based multipurpose grease	
Each oil seal lips		
Water seal lips		
Right crankcase and cylinder head cover water hose joint thread	Sealant	
Cylinder head cover mating surface	Three Bond 1207B or equivalent	
		



## Wheel

Item	Material	Remarks
Rear wheel nipple	Locking agent Candar C73R	Only versions (ED/3ED)