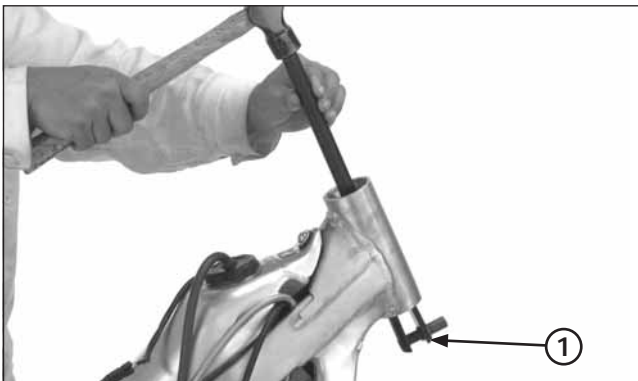


- (1) STEM
- (2) LOWER BEARING
- (3) DUST SEAL

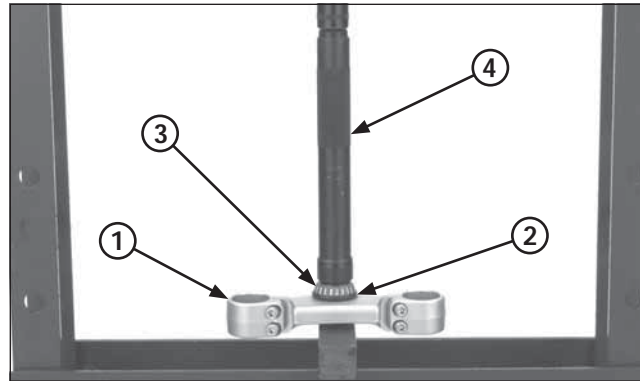


- (1) BALL RACE REMOVER

Remove the lower bearing and dust seal from the steering stem.

Remove the upper and lower bearing races from the steering head using the special tools.

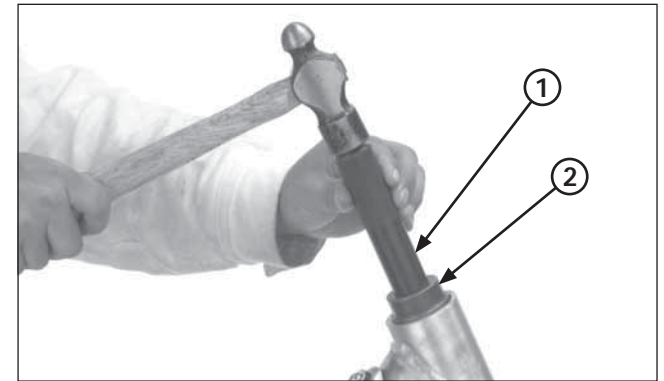
Tool:
Ball race remover **07948-4630100**



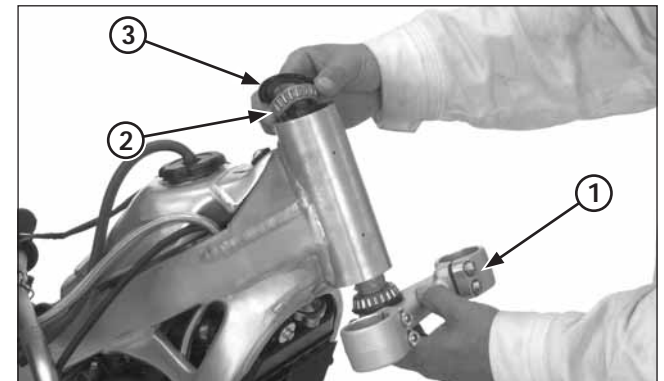
- (1) STEM
- (2) DUST SEAL
- (3) BEARING
- (4) STEERING STEM DRIVER

Install new dust seal onto the steering stem.
 Install the new lower bearing into the steering stem using a hydraulic press and driver.

Tool:
Steering stem driver (Generic tool)



- (1) DRIVER
- (2) ATTACHMENT



- (1) STEM
- (2) UPPER BEARING
- (3) DUST SEAL

Install new bearing races.

Tools:
Driver **07749-0010000**
Attachment, 42 x 47 mm **07746-0010300**

Pack the upper and lower bearings with grease.
 Install the steering stem, upper bearing and dust seal.