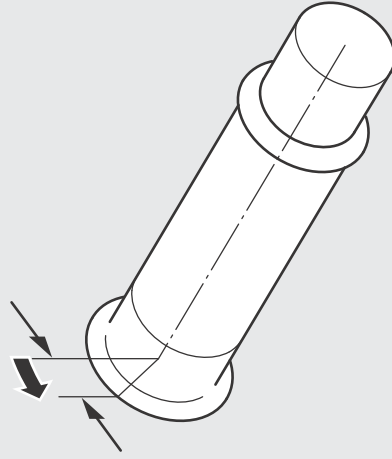


Starting the Engine *(Continued)*

If you cannot start the engine:

- ① Place the vehicle on its centre stand and squeeze the rear brake lever.
- ② Open the throttle slightly (about 3 mm, without freeplay), press the start button.

About 3 mm, without freeplay



If the engine does not start:

- ① Open the throttle fully and press the start button for 5 seconds.
- ② Repeat the normal starting procedure.
- ③ If the engine starts, open the throttle slightly if idling is unstable.
- ④ If the engine does not start, wait 10 seconds before trying steps ① & ② again.

■ If Engine Will Not Start  P.94