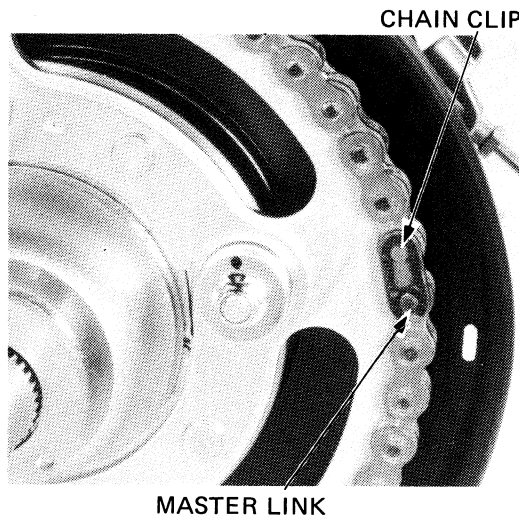
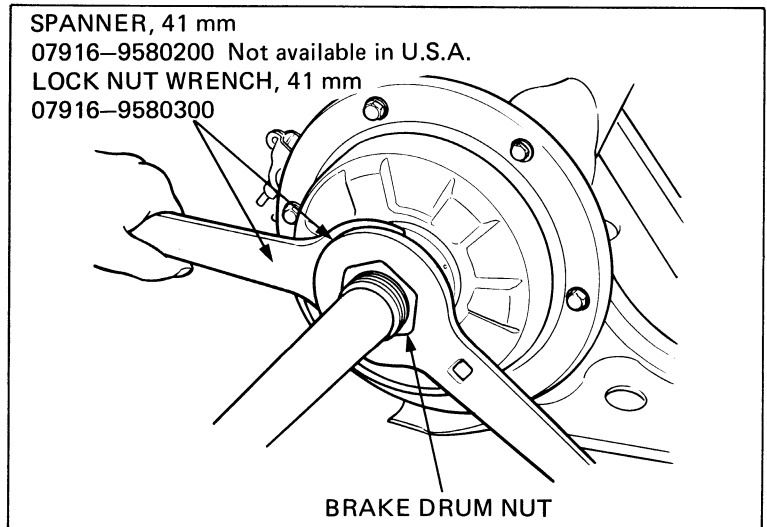


Remove the chain clip, master link and drive chain.



Remove the brake drum nuts using the special tools.



Remove the brake drum cover bolts and the cover.

