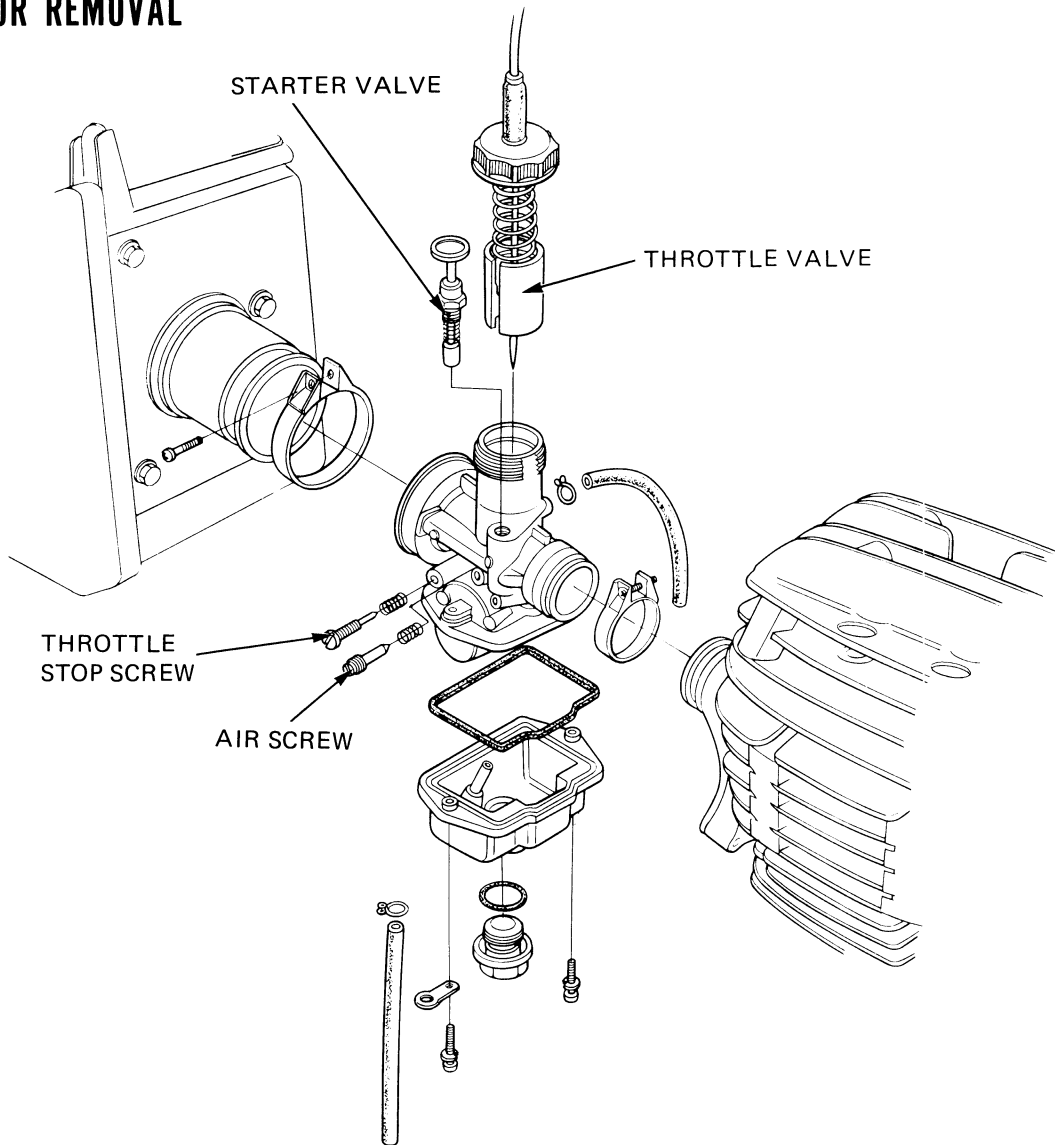


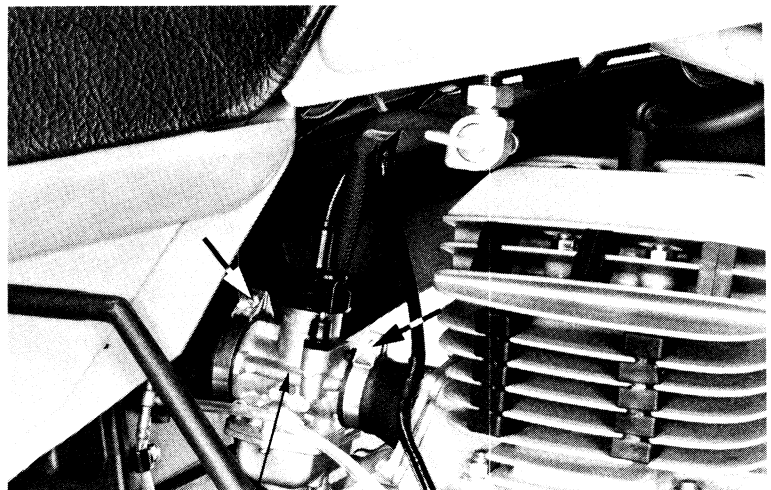


## CARBURETOR REMOVAL



Remove the seat/rear fender.  
Turn the fuel valve OFF and disconnect the fuel line.

Loosen the screws securing the carburetor bands.



CARBURETOR