



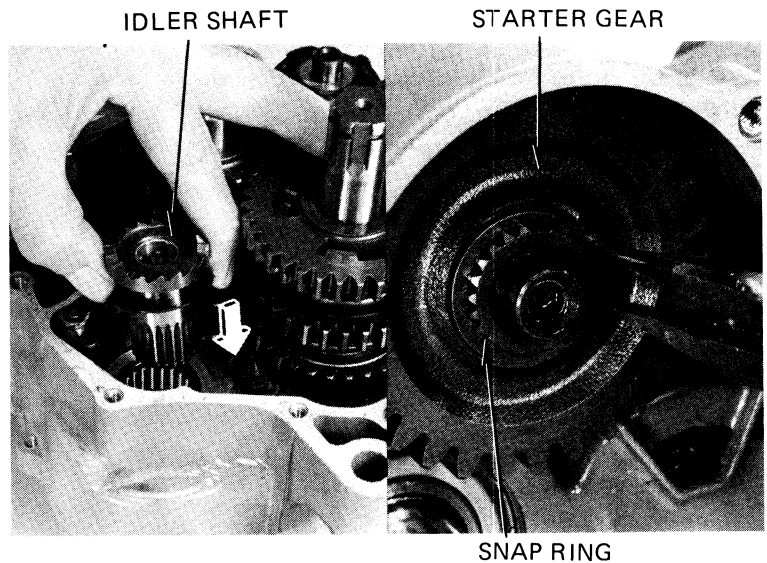
KICKSTARTER INSTALLATION

Install the ratchet idler shaft in the right crankcase.

Install the starter gear on the idler shaft and secure with the snap ring.

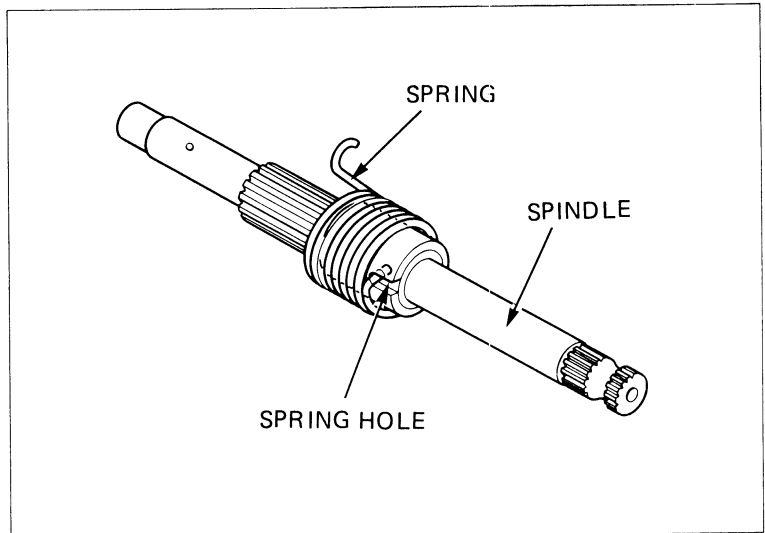
NOTE

Install the snap ring with the chamfer toward the gear.



Slide the kickstarter return spring over the kickstarter spindle with the end of the spring inserted in the spring hole.

Place the collar over the spindle with the groove of the collar aligned with the spring.



Slide the ratchet spring over the spindle. Align the punch marks on the ratchet and spindle and install the ratchet onto the spindle.

