



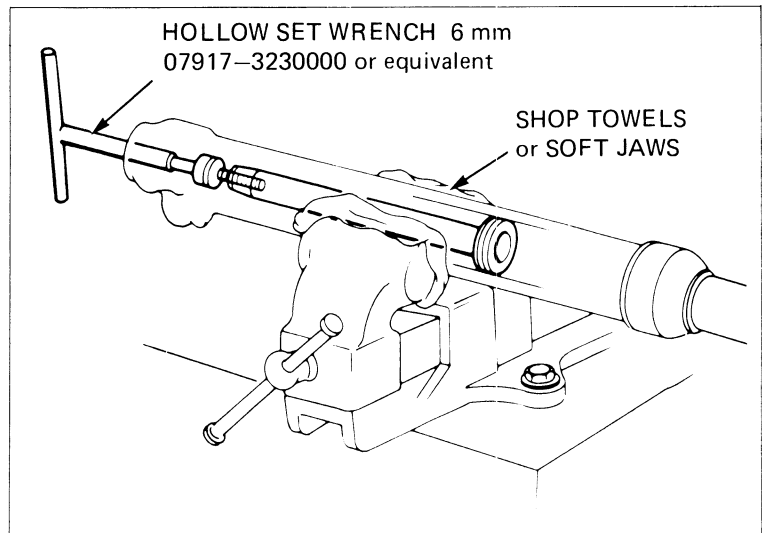
FRONT WHEEL/FRONT FORK/STEERING

Hold the fork slider in a vise with soft jaws or a shop towel.

Remove the hex bolt.

CAUTION:

Do not overtighten the slider in the vise. Overtightening will damage the slider.

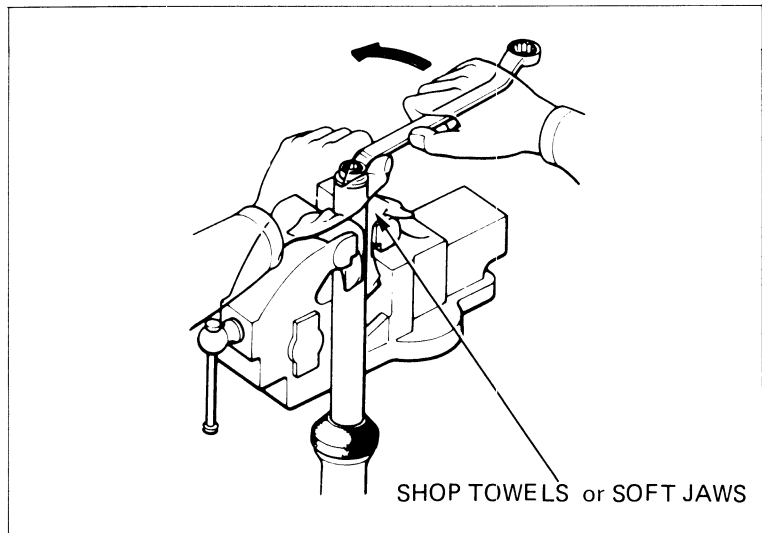


Hold the fork tube in a vise with soft jaws or a shop towel. Avoid the sliding surface.

Remove the fork cap bolt.

WARNING

The fork cap is under spring pressure. Use care when removing the cap to keep it from causing injury.



Remove the fork springs, piston, oil lock piece and rebound spring.

Turn the fork tube upside down and pump it to help drain the fork fluid.

