

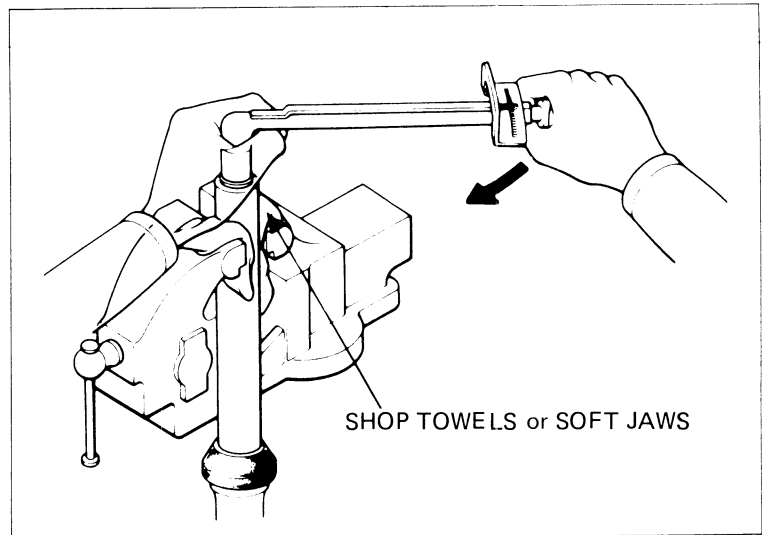


Tighten the fork caps;

TORQUE: 15–35 N·m (1.5–3.5 kg·m,
11–25 ft·lb)

CAUTION:

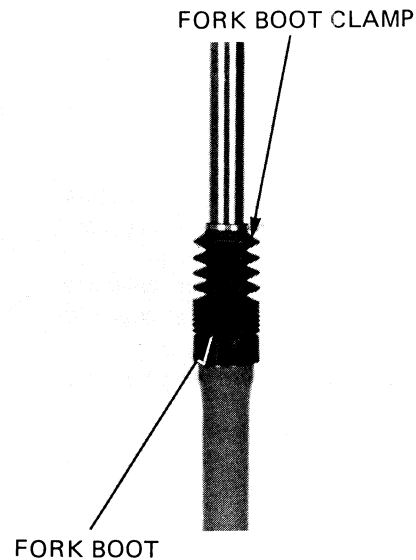
Use shop towels or soft jaws to avoid damaging the fork tube.



Install the fork boot and boot clamp.

NOTE

Do not tighten the clamps until the forks are properly installed on the vehicle.



FRONT FORK INSTALLATION

Install the front forks into the fork bridge and steering stem while rotating them.

Be sure that the top of each tube is flush with the top of the fork bridge.

