



## BRAKE MECHANISM (FRONT DISC BRAKE)

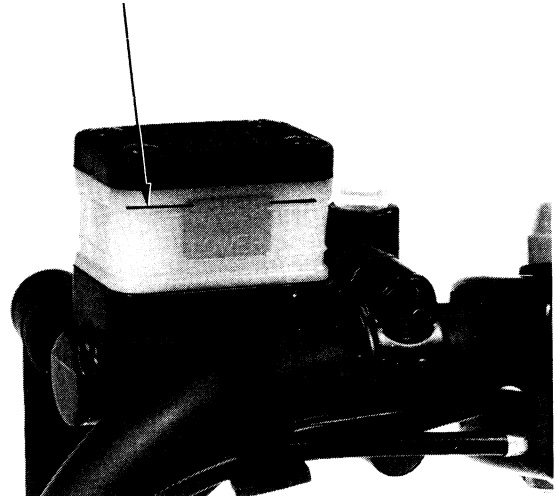
Fill the reservoir up to the UPPER FLUID LEVEL.

Check the entire system for leaks by operating the lever.

**WARNING**

*A contaminated brake disc or pads reduces stopping power. Replace contaminated pads, and clean a contaminated disc with a good quality degreasing agent.*

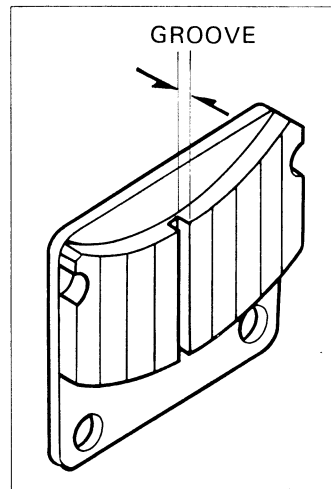
UPPER FLUID LEVEL



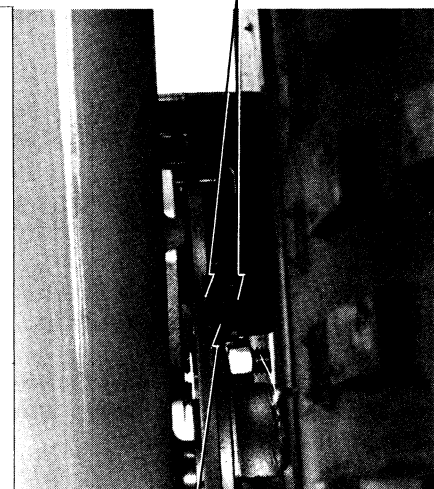
## BRAKE PADS/DISC

### BRAKE PAD INSPECTION

Replace both pads require replacement if either pad wears to the bottom of the groove.



PADS



DISC

### BRAKE PAD REPLACEMENT

Remove the three wheel nuts.

**NOTE**

Do not disconnect the brake hose when replacing the brake pads.

Remove the two caliper bolts and remove the caliper from the fork leg.

