



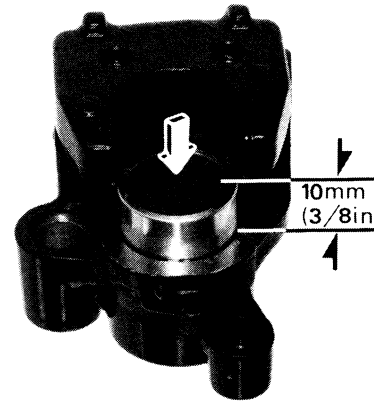
Install the piston with the concave end on the brake pad side.

Insert the piston into the caliper cylinder.

NOTE

Install the piston with the end about 10 mm (3/8 in) projecting above the caliper.

Wipe excess brake fluid off the caliper with a clean cloth.



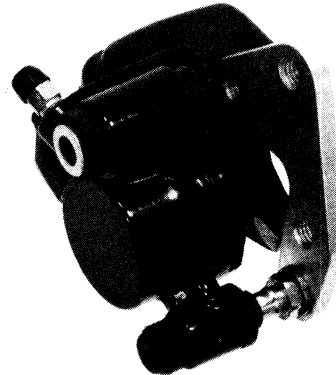
Install the pin boots and bushing in the caliper and lubricate the inside with silicon grease.

WARNING

Do not allow grease to touch the pads, or stopping power will be reduced.

Install the sleeve in the boots.

Install the caliper bracket on the caliper.



Install the caliper flange bolt.

TORQUE: 20–25 N·m (2.0–2.5 kg·m,
14–18 ft·lb)

