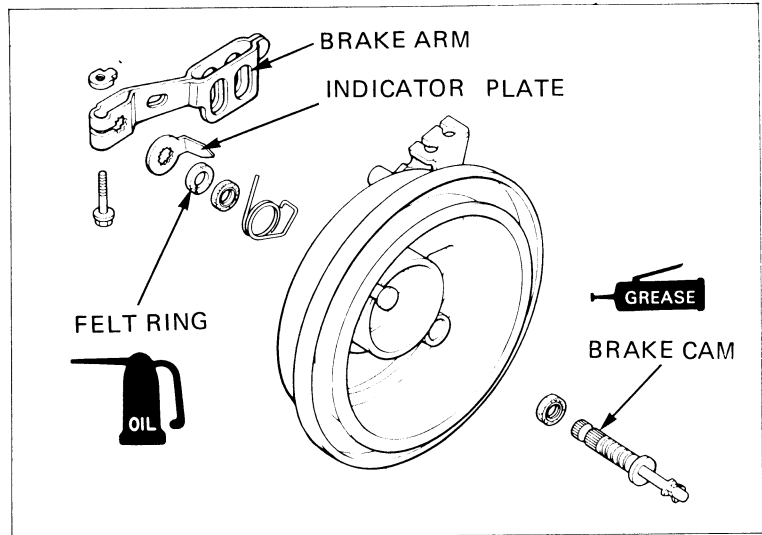




BRAKE CAM INSPECTION

- Remove the brake arm.
- Remove the indicator plate.
- Remove the brake cam.
- Remove the felt ring.
- Clean the shoe contacting faces of the brake cam.

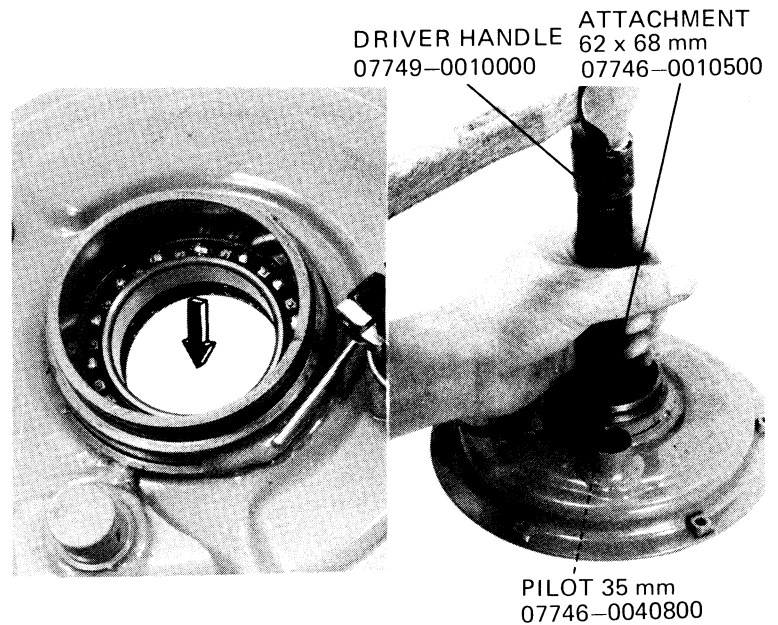


REAR WHEEL BEARING REPLACEMENT

Drive the bearing out from the brake panel together with the oil seal.

NOTE

Bearings removed in this manner should be considered damaged and should not be reused.



REAR WHEEL BEARING INSPECTION

Check the rear wheel bearing. Replace the bearing if it is noisy or has excessive play.

