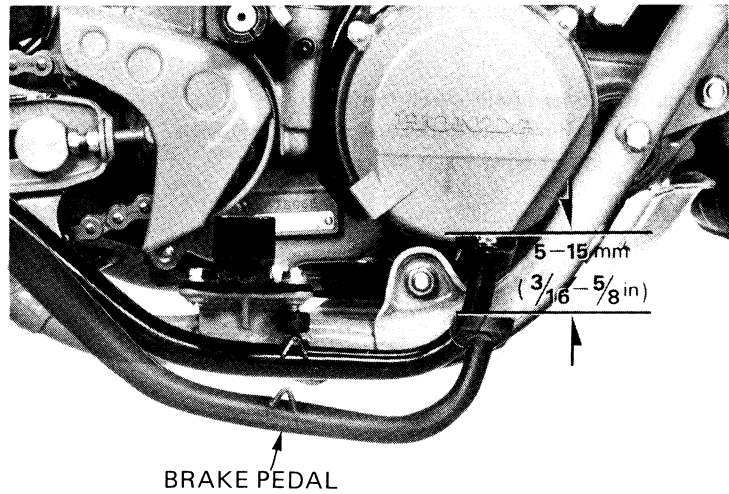


'82 ATC250R ADDENDUM
REAR BRAKE
BRAKE PEDAL FREE PLAY

Measure the brake pedal free play.

FREE PLAY: 5-15 mm (3/16-5/8 in)


BRAKE FLUID INSPECTION

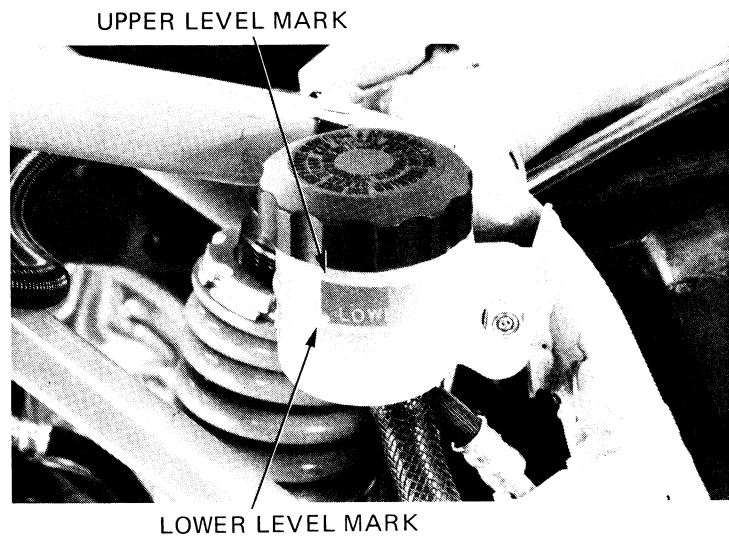
Check that the brake fluid reservoir is filled to the upper level mark.

If the level is lower than the upper level mark, fill the reservoir with DOT-3 BRAKE FLUID up to the level mark.

Check the entire system for leaks if the level is low.

CAUTION:

Do not mix different types of fluid in the reservoir. Mixing different types may not provide optimum braking performance.


BRAKE PAD WEAR

Check each brake pad for wear.

SERVICE LIMIT: If either pad wears to the groove, both pads must be replaced.

NOTE

Always replace the brake pads in pairs to assure even disc pressure.

