

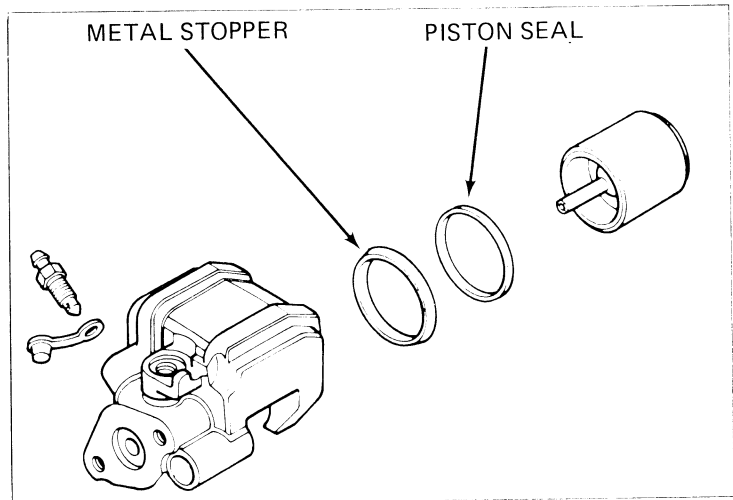
Remove the piston seal and metal stopper from the caliper cylinder.

Clean the caliper grooves with brake fluid.

Replace the piston seal and metal stopper with new parts.

**CAUTION**

*Do not use solvent for cleaning. Solvent can cause deterioration of rubber parts.*



**CALIPER CYLINDER INSPECTION**

Check the caliper cylinder for scoring, scratches or other faults.

Measure the caliper cylinder I.D.

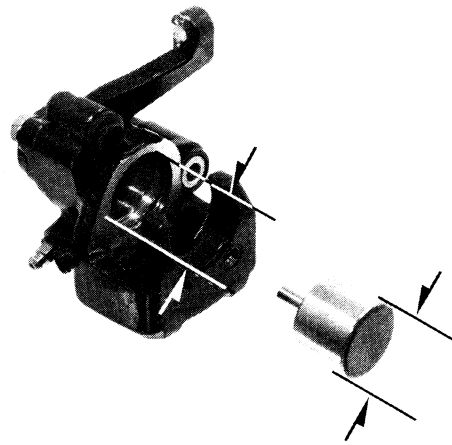
**SERVICE LIMIT: 34.020 mm (1.3394 in)**

**CALIPER PISTON INSPECTION**

Check the piston for scoring, scratches or other faults.

Measure the caliper piston O.D.

**SERVICE LIMIT: 33.870 mm (1.3335 in)**



**BRAKE CALIPER ASSEMBLY**

Lubricate the inside diameter of the caliper cylinder with brake fluid.

Install the piston seal and metal stopper.

