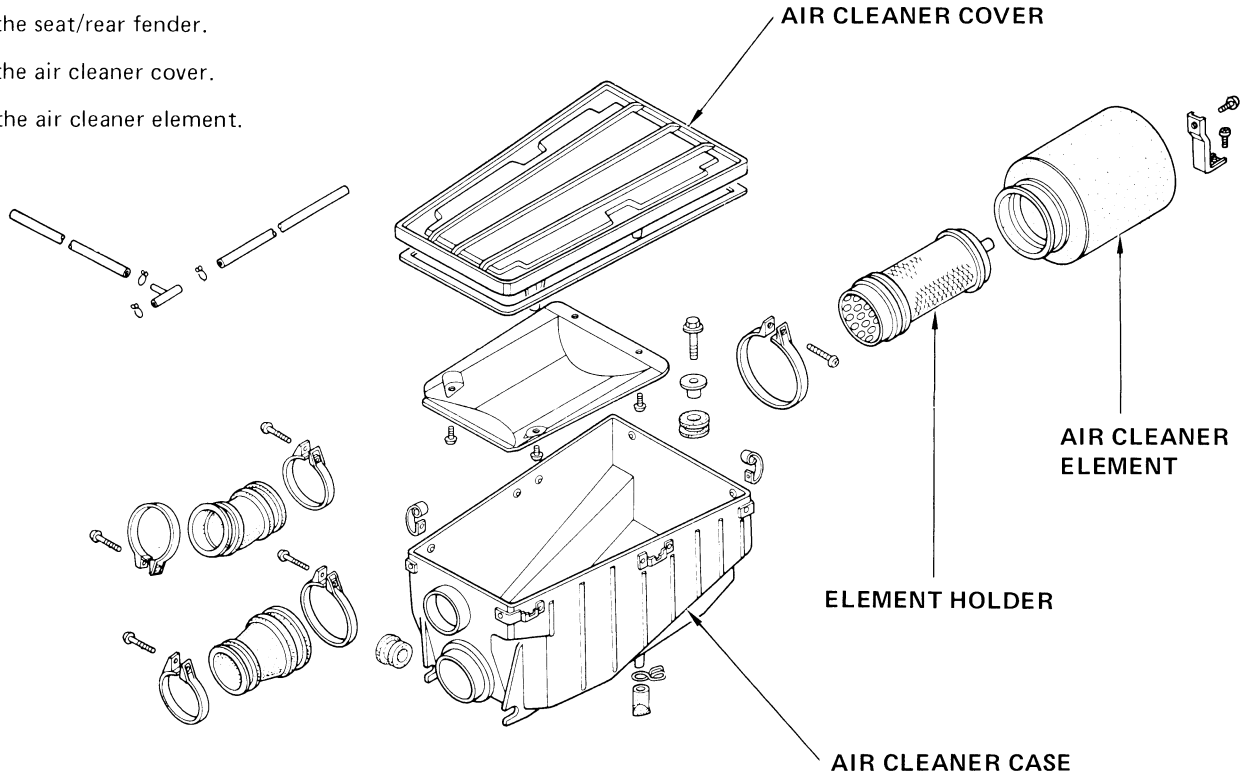


AIR CLEANER CASE

Remove the seat/rear fender.

Remove the air cleaner cover.

Remove the air cleaner element.



HIGH ALTITUDE ADJUSTMENT

The carburetor must be adjusted for high altitude riding (above 5,000 feet; 1,500 m).

High altitude carburetor adjustment is performed as follows:

Turn the fuel valve OFF.

Loosen the carburetor drain screw to drain the carburetor.

Remove the carburetor.

Remove the float chamber.

Remove the standard main jet and install the applicable high altitude main jet. Also adjust the air screw, according to the chart.

Reinstall the float chamber and tighten the drain screw.

Turn the fuel valve ON and start the engine.

Adjust the idle speed with the throttle stop screw.

Altitude	Main Jet	Air Screw
0-5,000 feet	No. 130	1½ turns out
4,500-6,500 feet	No. 128	1½ turns out
6,000-10,000 feet	No. 125	2 turns out