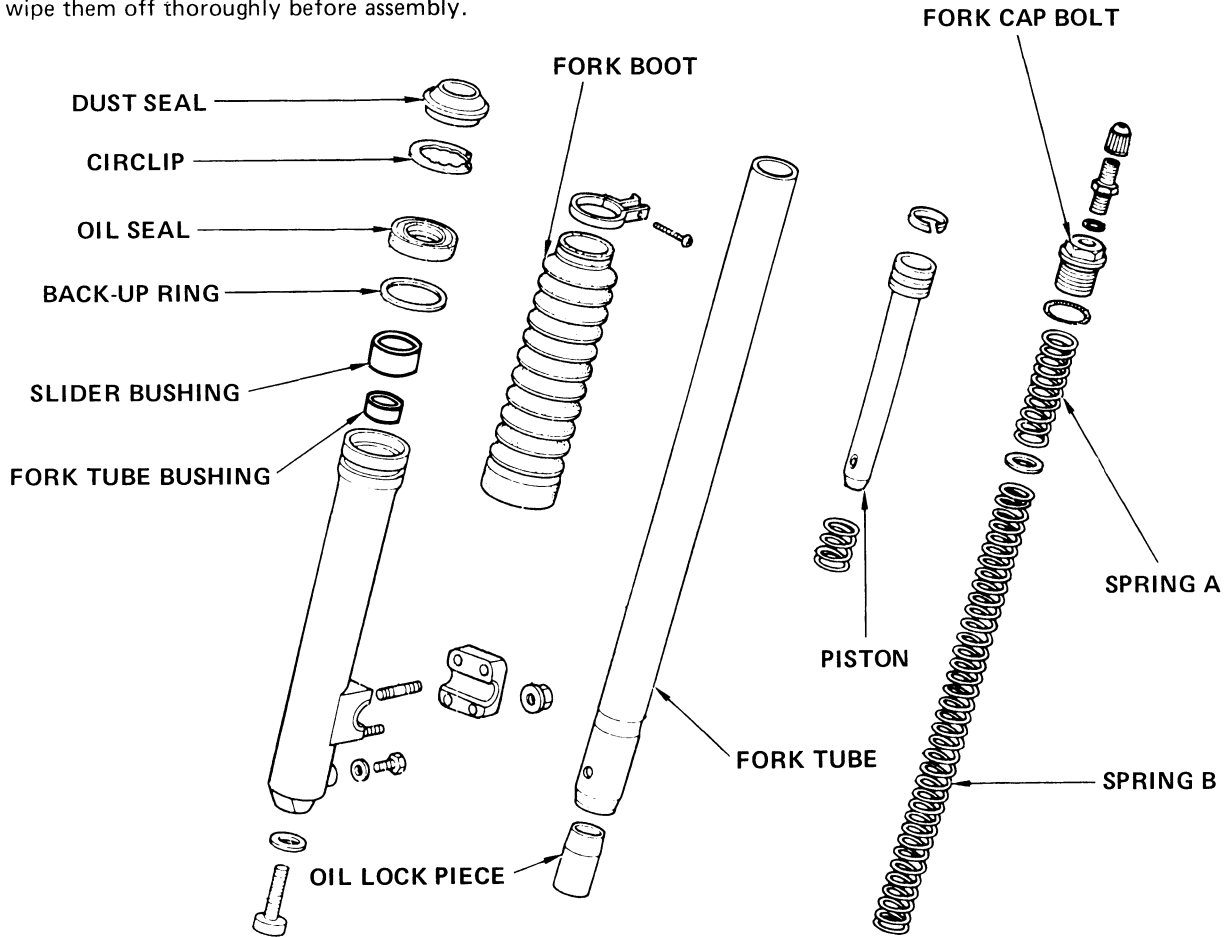




ASSEMBLY

Wash all removed parts in non-flammable solvent and wipe them off thoroughly before assembly.



Install the piston ring on the piston, if it was removed.

Install the fork tube bushing if a new one is being installed.

NOTE:

Make sure the oil seal and back-up ring are correctly positioned before installation.

Place the rebound spring and piston into the fork tube. Place the oil lock piece on the end of the piston and insert the fork tube into the slider.

