

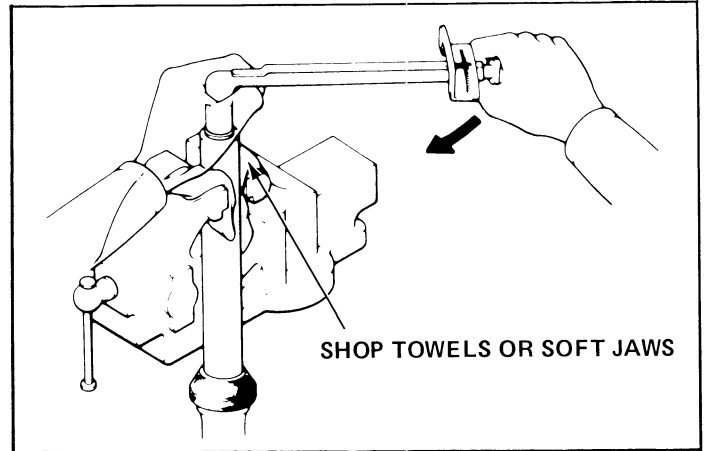


Tighten the fork caps:

TORQUE: 15–35 N·m (1.5–3.5 kg-m, 11–25 ft-lb)

CAUTION:

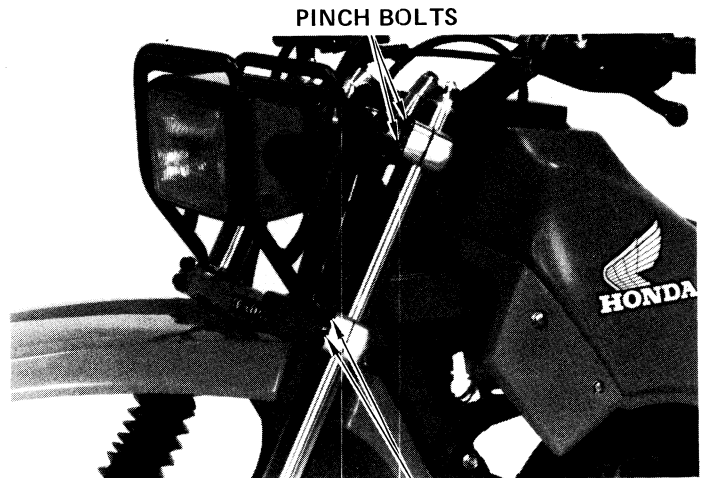
Use shop towels or soft jaws to avoid damaging the fork tube.



INSTALLATION

Tighten the fork tube pinch bolts.

TORQUE: 18–25 N·m (1.8–2.5 kg-m, 13–18 ft lb)



PINCH BOLTS

STEERING STEM

REMOVAL

Remove the following:

- headlight, headlight case and bracket.
- front wheel (page 18-19) and front fender.
- handlebars.
- fork bridge (pages 10-27).
- fork tubes (page 18-23).

Remove the steering head adjustment nut and the steering stem.

STEERING STEM SOCKET 07916-3710100

