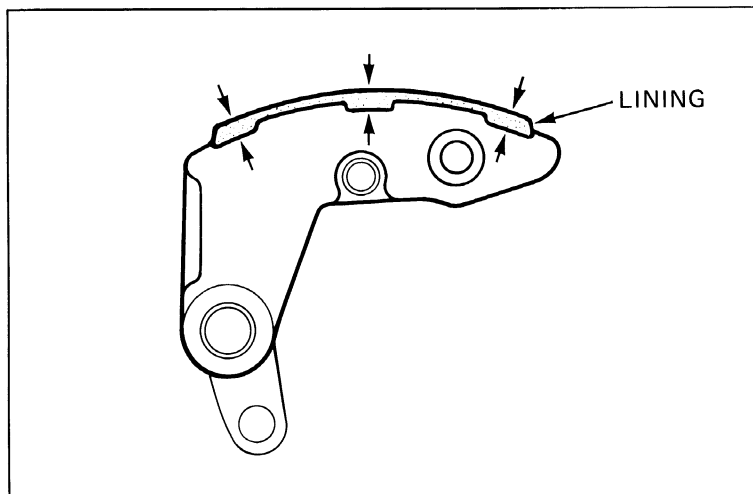


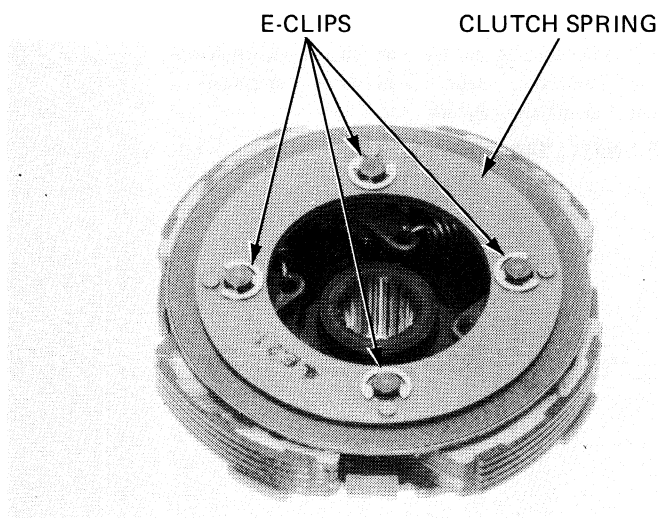
DISASSEMBLY/INSPECTION

Measure the weight lining thickness.

SERVICE LIMIT: 2.0 mm (0.08 in)



Remove the E-clips, washer, clutch spring, and inner washer.



Check the weight springs for wear or damage.
Replace if necessary.

