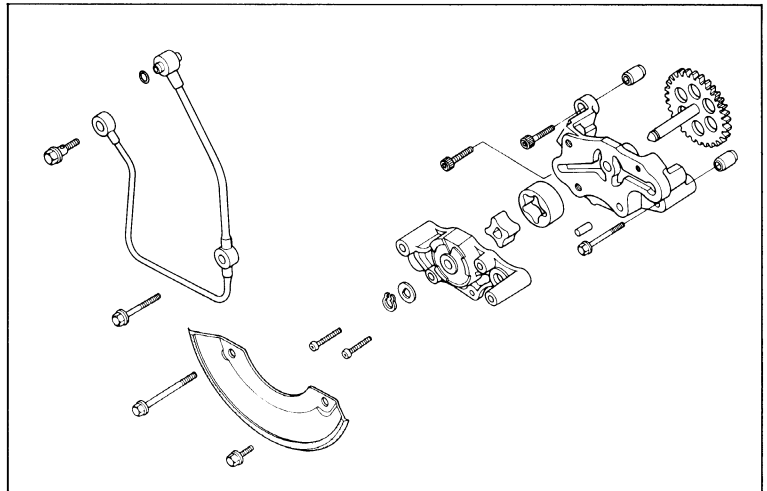


OIL PUMP DISASSEMBLY

Remove the E-clip from the oil pump driven gear.
Remove the oil pump cover mounting screws.



OIL PUMP INSPECTION

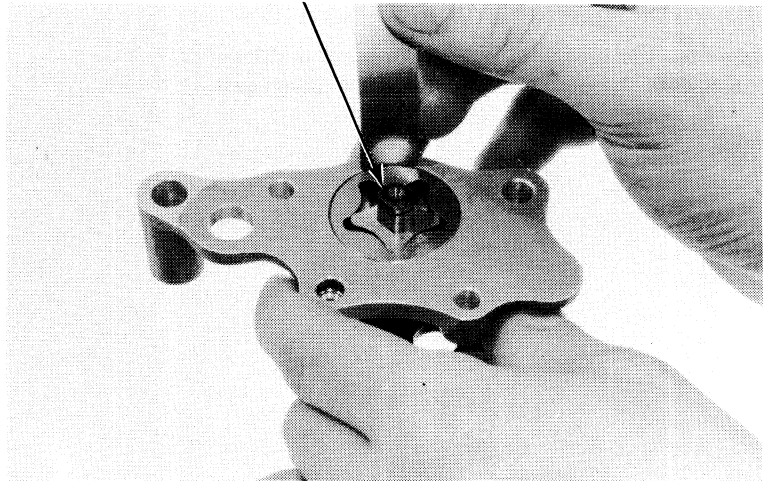
Install the outer and inner rotor into the cover and insert the oil pump driven gear shaft.

Measure the pump cover to rotor clearance.

SERVICE LIMIT: 0.25 mm (0.1010 in)

Clean the oil pipe.

OIL PUMP DRIVEN GEAR SHAFT



Measure the pump rotor tip clearance.

SERVICE LIMIT: 0.20 mm (0.008 in)

