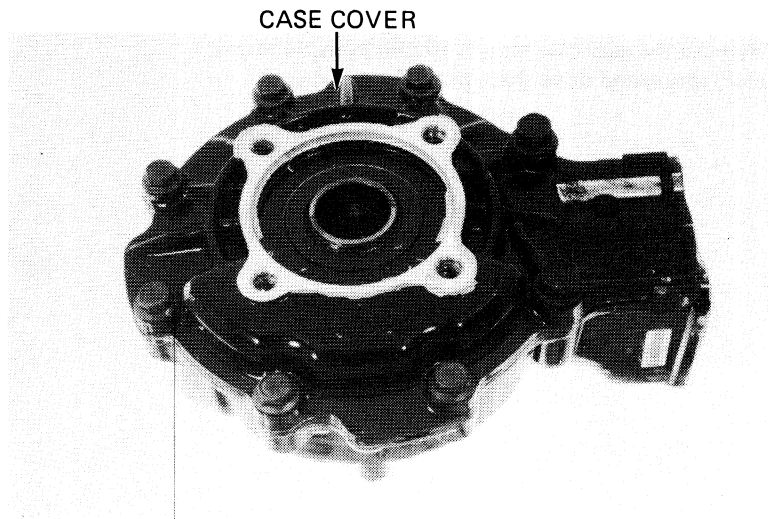


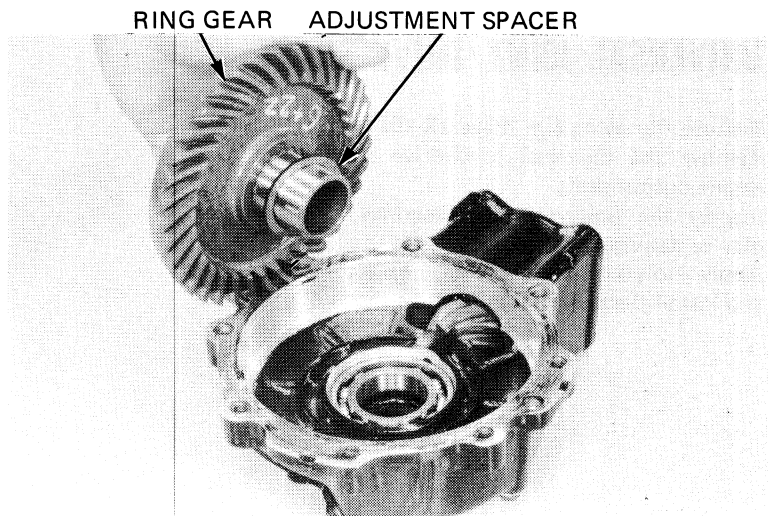
FINAL DRIVE GEAR

RING GEAR REMOVAL

Remove the eight case cover bolts and cover. If the ring gear stays in the cover, do the following:
Place the cover in a press with the ring gear down.
Make sure the cover is securely supported.
Press the ring gear out of the cover with driver 07749-0010000 and attachment 07746-0010100.



Remove the ring gear and adjustment spacer.

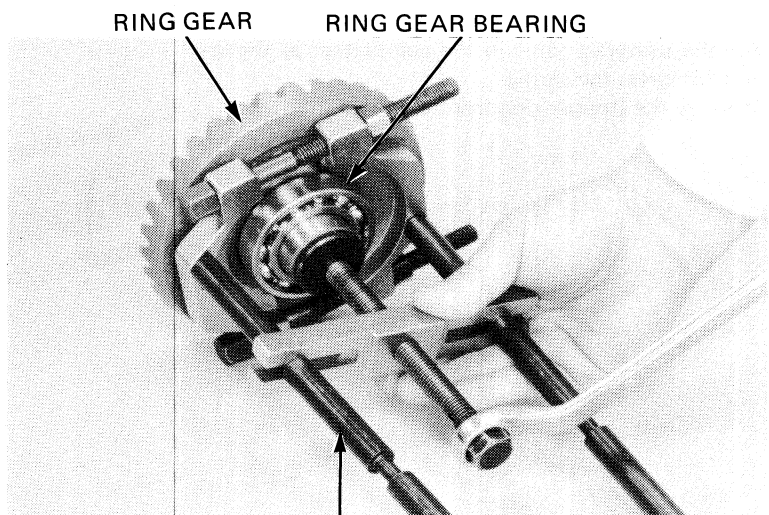


RING GEAR BEARING REMOVAL

Remove the ring gear bearing and adjustment spacer.

If the ring gear bearing stays in the cover, use the listed to remove it.

Driver 07749-0010000
Attachment, 42 x 47 mm 07746-0010300



BEARING PULLER 07631-0010000 OR
COMMERCIALY AVAILABLE IN U.S.A.