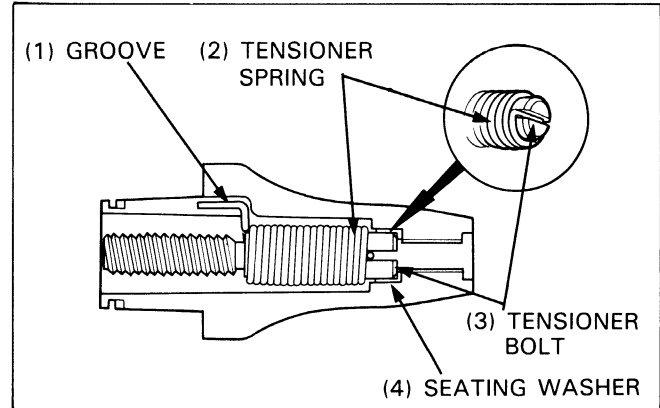


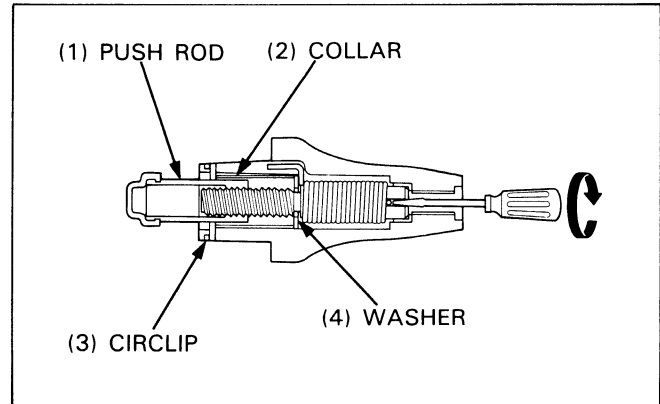
## CYLINDER HEAD/VALVES

### After '85:

Install the seating washer into the tensioner body.  
Install the tensioner spring aligning the end of the spring with groove of the tensioner body.  
Install the tensioner bolt aligning the end of the spring with groove of the tensioner bolt.



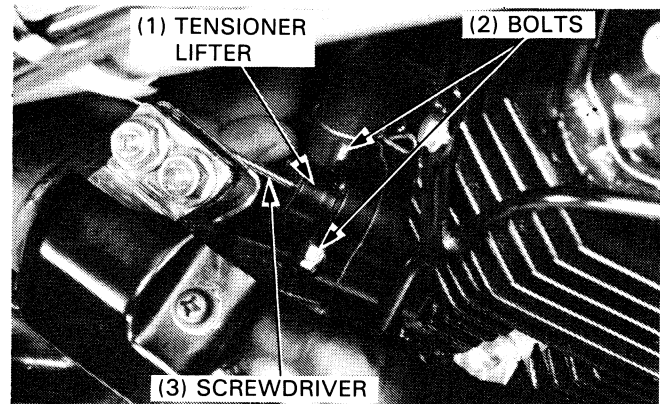
Install the collar and washer onto the push rod.  
Screw in the push rod slightly and secure the push rod with the circlip.



### '85 and after:

Screw in the adjuster all the way through the hole in the cover and install the tensioner lifter onto the cylinder. Tighten the two tensioner lifter mount bolts and release the adjuster.

**TORQUE: 8 – 12 N·m (0.8 – 1.2 kg·m, 6 – 9 ft·lb)**



Install the sealing bolt.

**TORQUE: 8 – 12 N·m (0.8 – 1.2 kg·m, 6 – 9 ft·lb)**

