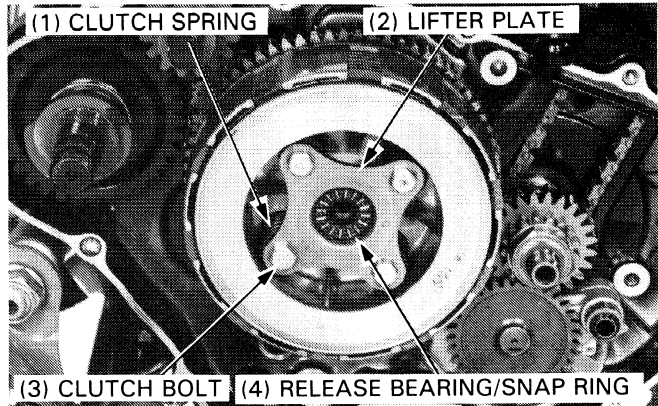


## CLUTCH/OIL PUMP/KICK STARTER

Install the washer, release bearing and snap ring onto the clutch lifter plate.

Install the clutch springs, lifter plate and clutch bolts. Tighten the bolts in a crisscross pattern in 2-3 steps.

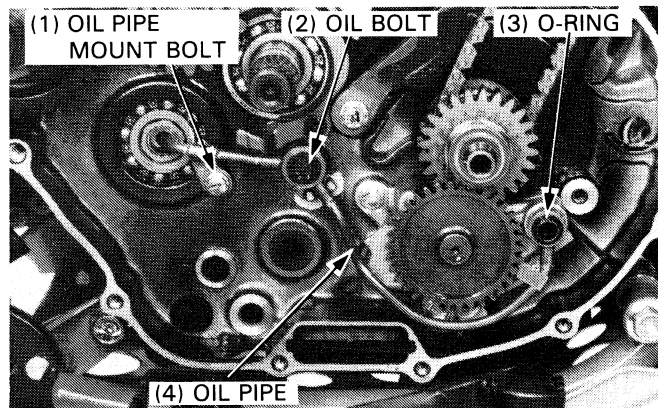
**TORQUE: 10–14 N·m (1.0–1.4 kg-m, 7–10 ft-lb)**



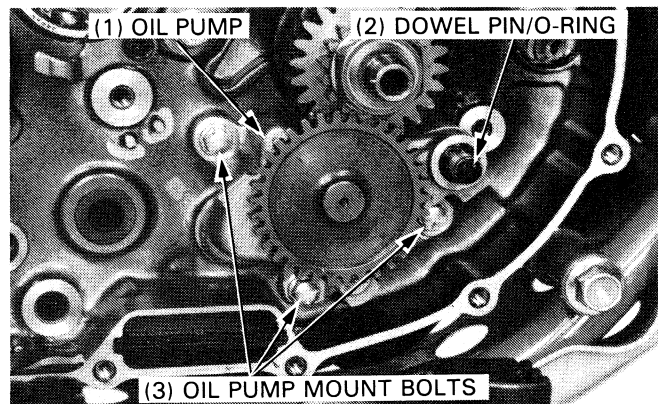
## OIL PUMP

### REMOVAL

Remove the clutch (page 8-6).  
Remove the O-ring, oil bolt, oil pipe mount bolt and oil pipe.



Remove the dowel pin and O-ring.  
Remove the oil pump mount bolts and the pump.



Remove the dowel pins and O-ring from the crankcase.

