

Measure the O.D. of the mainshaft and countershaft.

SERVICE LIMIT:

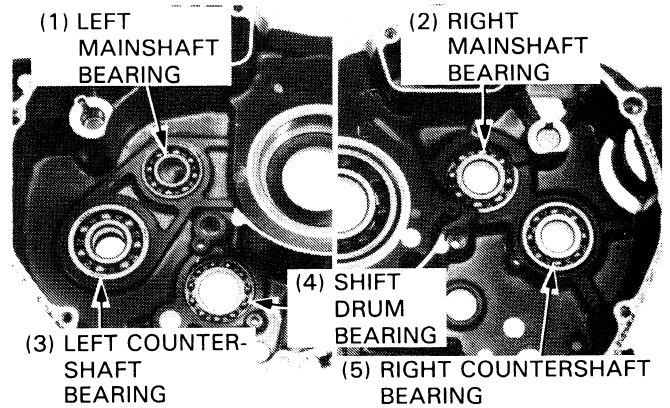
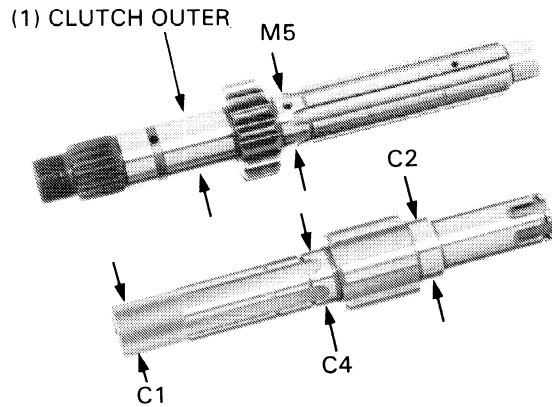
- M5: 21.93 mm (0.863 in)
- C1: 19.95 mm (0.785 in)
- C2: 23.93 mm (0.942 in)
- C4: 24.93 mm (0.981 in)
- AT clutch outer: 21.93 mm (0.863 in)

Calculate the gear bushing-to-shaft clearance.

SERVICE LIMIT:

- M5: 0.10 mm (0.004 in)
- C1: 0.08 mm (0.003 in)
- C2: 0.10 mm (0.004 in)
- C4: 0.10 mm (0.004 in)

Check the transmission bearings for excessive play or damage and replace if necessary.



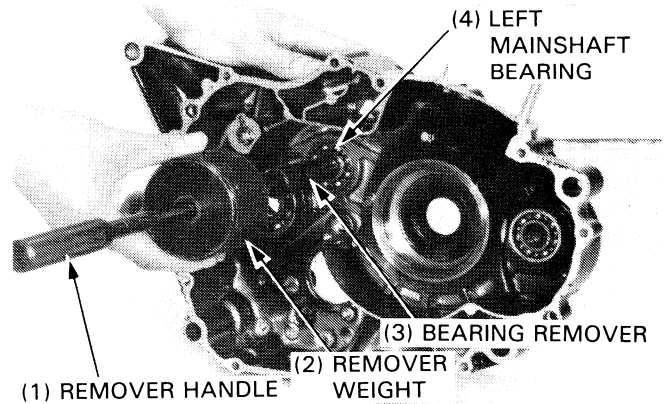
BEARING REPLACEMENT

Remove the left mainshaft bearing using the bearing remover.

TOOLS:

- (1) BEARING REMOVER HANDLE 07936-3710100
- (2) REMOVER WEIGHT 07936-3710200 or 07741-0010201
- (3) BEARING REMOVER, 17 mm 07936-3710300

Remove the countershaft oil seal and all transmission bearings.



Drive new bearings in using the following tools:

Left mainshaft bearing:

- DRIVER 07749-0010000
- ATTACHMENT, 37 x 40 mm 07746-0010200

NOTE

- Install the left mainshaft bearing with its sealed end facing down.

