

# CRANKSHAFT

## REMOVAL

Remove the transmission (page 10-5)

Remove the crankshaft from the left crankcase using a hydraulic press.

## CAUTION

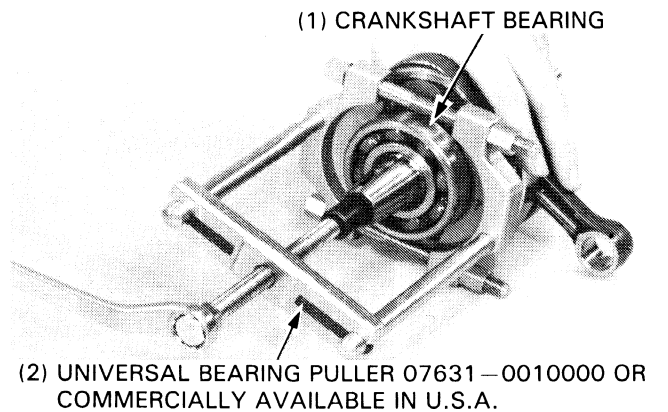
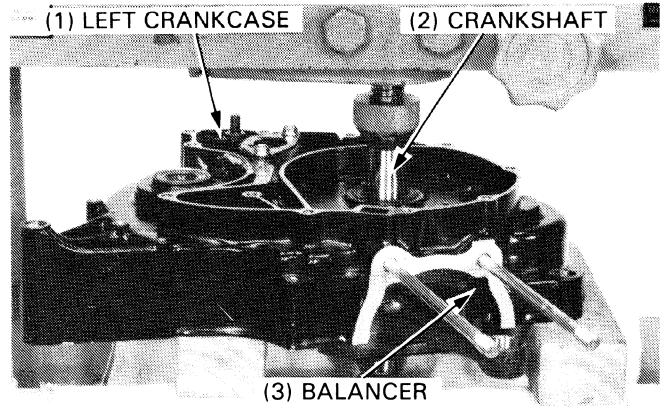
- *Take care that the crankshaft and balancer don't fall when removing the crankshaft.*

Remove the balancer.

If the left crankshaft bearing remains on the crankshaft, remove it with a bearing puller. If the bearing remains in the left crankcase, remove it with driver 07749-0010000 and attachment, 37 x 40 mm 07746-0010200. Discard the left crankshaft bearing.

## NOTE

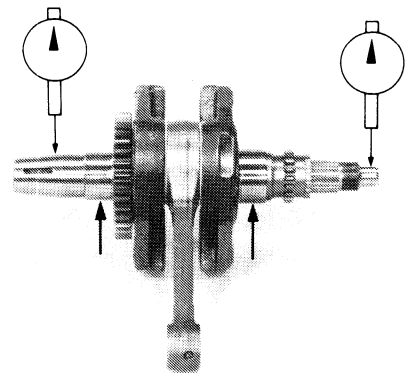
- Always replace the left bearing with a new one whenever the crankshaft is removed from the left crankcase.



## INSPECTION

Set the crankshaft on a stand or V-blocks and read the runout using dial indicators.

**SERVICE LIMIT: 0.05 mm (0.002 in)**



Measure the side clearance of the connecting rod big end.

**SERVICE LIMIT: 0.80 mm (0.031 in)**

