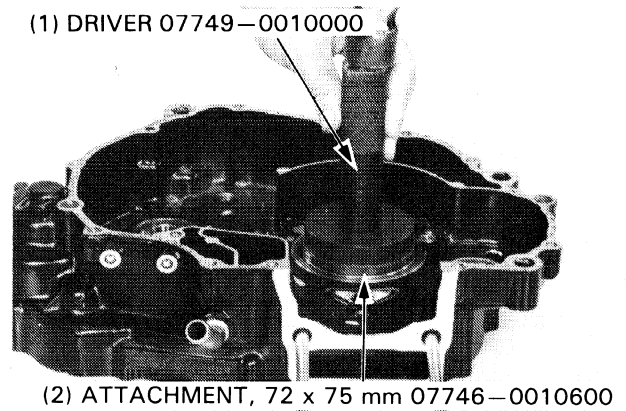
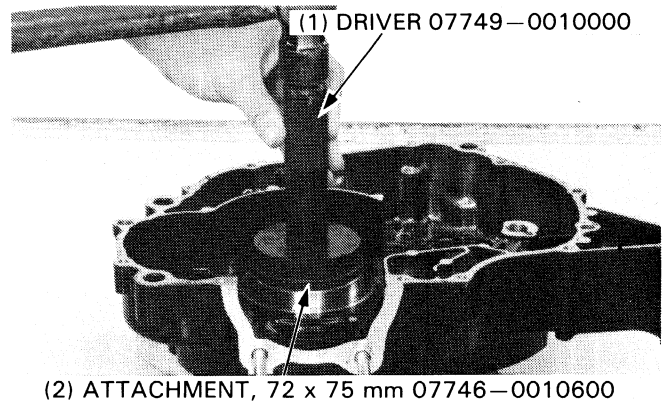


Remove the right crankshaft bearing.  
Drive a new right crankshaft bearing into the right crankcase.

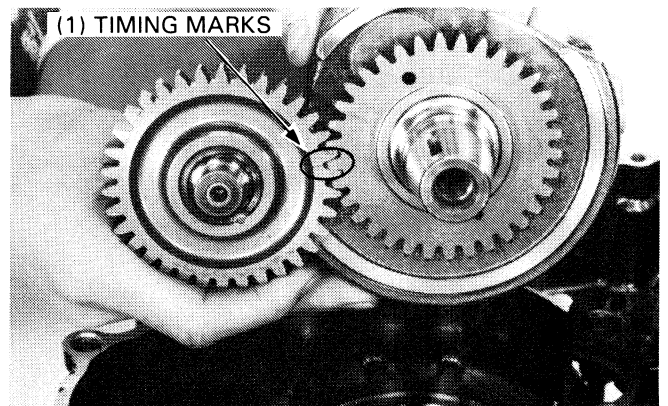


**INSTALLATION**

Drive a new left crankshaft bearing into the left crankcase.



Align the timing marks on the crankshaft and balancer gears and place them in the left crankcase.



Install the crankshaft in the left crankcase using the special tools.

