

FRONT WHEEL/SUSPENSION/STEERING

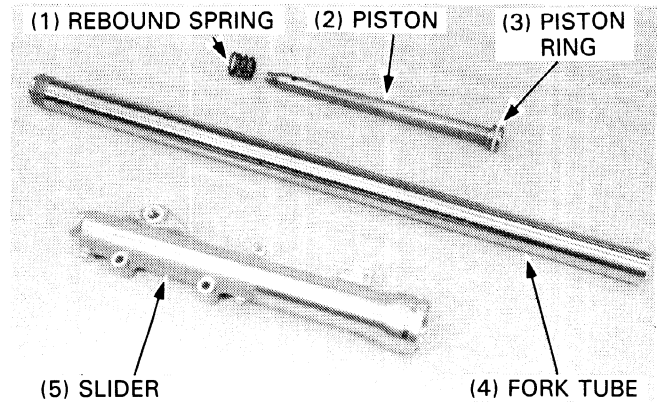
● FORK TUBE/SLIDER/PISTON

Check the fork tube, slider and piston for scoring, scratches, or excessive or abnormal wear.

Replace any components which are worn or damaged.

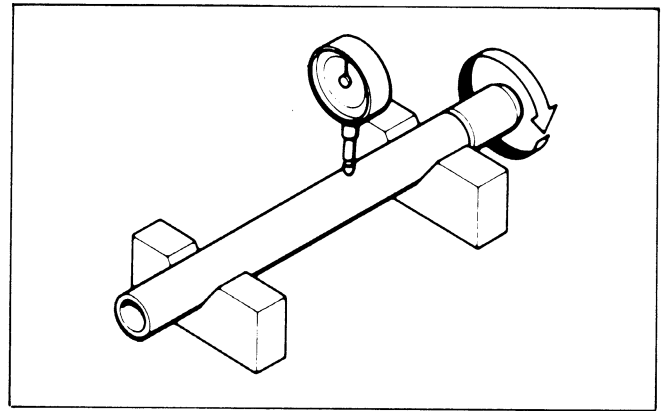
Check the fork piston ring for wear or damage.

Check the rebound spring for fatigue or damage.



Place the fork tube in V blocks and read the runout.

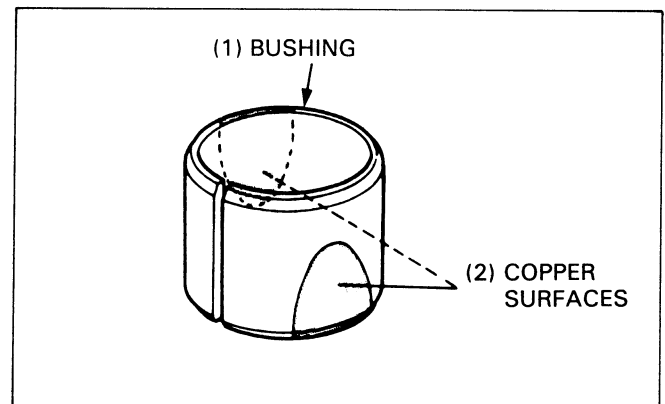
SERVICE LIMIT: 0.2 mm (0.008 in)



● BUSHING

Visually inspect the slider and fork tube bushing.

Replace the bushing if there is excessive scoring or scratching, or if the teflon is worn so that the copper surface appears on more than 3/4 of the entire surface.



ASSEMBLY

NOTE

- Wash all removed parts in solvent and wipe them off thoroughly before assembly.