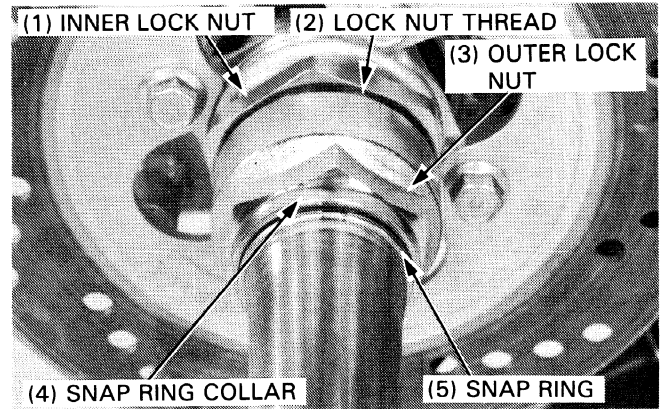
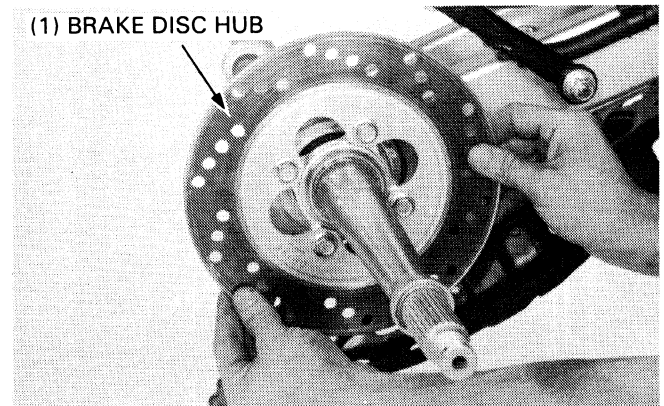


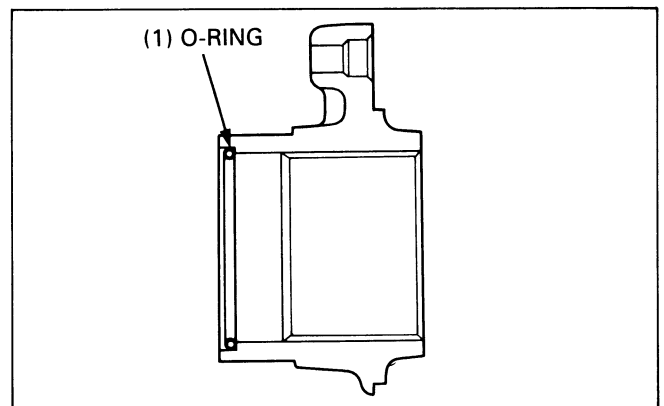
Remove the snap ring, snap ring collar, outer lock nut, lock nut thread and inner lock nut from the axle.



Remove the left wheel and hub.
Remove the brake disc with the hub from the axle.



Remove the O-ring from the groove in the disc hub.



Install the axle nut onto the right axle end.
Drive the axle out of the wheel bearings from the right side with a plastic hammer.

